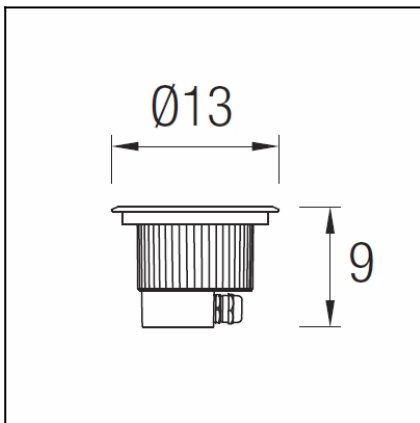




The photograph may not match the reference exactly. Please read the product description to identify the finish.



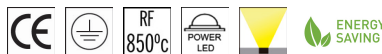
Download photometric file .ldt /.ies

DESCRIPTION

May be flush mounted into the floor. Body produced in injected aluminium, with an AISI 316 stainless steel surround and a clear glass diffuser. LED light source comprising 4,200 PHILIPS POWER LED or RGB light. Offered in two sizes and different wattages. Beam aperture of 25°. Driver included (100-240V) for the white LED versions. The RGB version requires EASY RGB controllers available only from the LEDS-C4 Outdoor catalogue. Includes 3000K warm light filter and a light diffuser filter. Its wire outlets on both sides makes it suitable for an array installation. It can be rotated by +/- 15°. Compact design (only 9cm deep).

TECHNICAL CHARACTERISTICS

Type:	Downlight
Adjustable ±15° on the vertical axis	
IP Protection degrees:	IP67
IK Protection degrees:	IK08
Bulb:	3 x LED Cree. Neutral white - 4000K
Power (W):	3W
Total power consumption (W):	4.3
Luminous efficacy (Lm/W):	122
CRI:	75
Angle of the optics/Reflector:	25°
Voltage / Frequency:	100-240V/50-60Hz
Warranty (Years):	2
Option to extend the guarantee:	Yes, 5 years
Units per box:	4
Net Weight (Kg):	1.05
EAN:	8435381400200



MATERIALS / FINISHES

Structure material: Stainless steel AISI316
High purity aluminium

Diffuser material: Glass

Structure finish: Polished
Black

Diffuser finish: Tempered

GEAR

Multi-voltage electronic gear included (100-240V / 50-60Hz)

Report No.: 20130408002

Test Time: 2013-04-08 11:21

Luminaire Property

Luminaire Manufacturer: LEDS-C4
 Luminaire Category:
 Lamp Catalog:
 Number of Lamps: 3
 Luminous Length (mm): 75
 Luminous Height (mm): 5
 Current: 0.041 A
 Power Factor: 0.463

Luminaire Description: 55-9663
 Lamp Description: LED
 Lumens per Lamp: 100
 Luminous Width (mm): 75
 Voltage: 219.9 V
 Power: 4.20 W

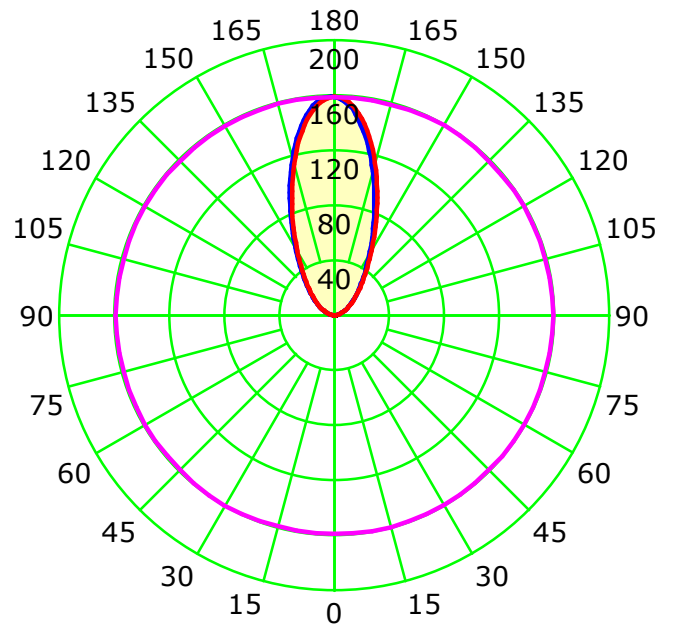
Photometric Results

CIE Class: Indirect
 Measurement Flux: 148.9 lm
 Downward Ratio: 0.00%
 Field Angle: H109.1 V108.1
 Luminaire Efficacy Rating (LER): 35
 Max. Intensity: 160.7 cd

Total Rated Lamp Lumens: 300.0 lm
 Efficiency: 49.64%
 Upward Ratio: 49.64%
 Beam Angle: H45.1 V45.5
 Central Intensity: 159.75 cd
 Pos of Max. Intensity: H150 V180

Picture Of Luminaire ...

Luminous Intensity Distribution Curve

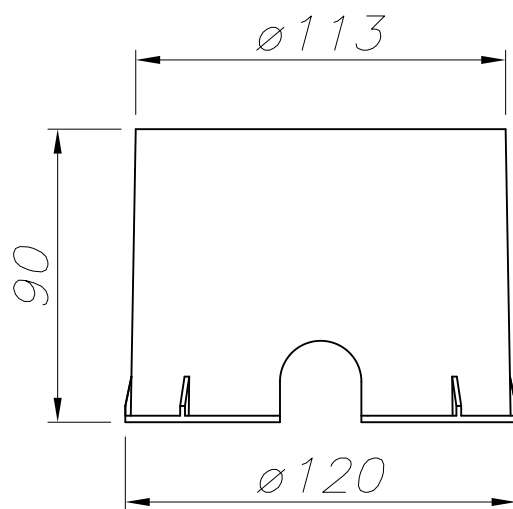
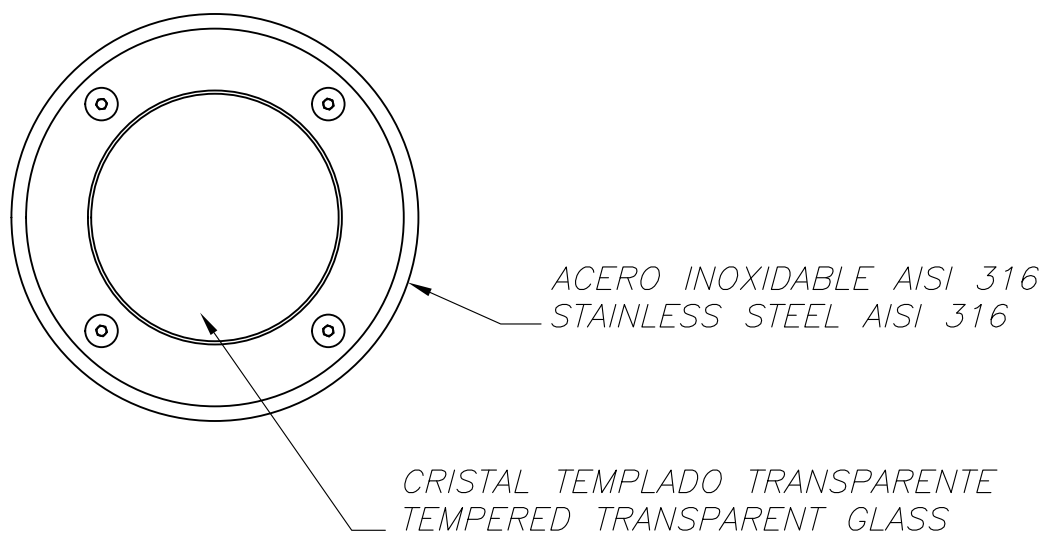
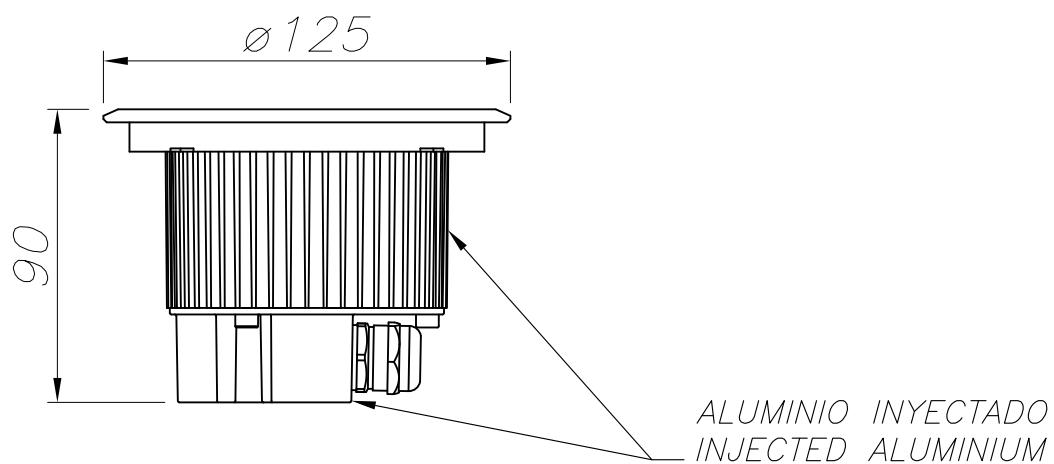


Unit: cd

— C0-C180 — C90-C270 — G180

C Plane (°):0.0-360.0: 15.0
 Test Lab: INVENTFINE
 Test Type: TYPE C
 Temperature:
 Operator:

Gamma Plane (°):0.0-180.0:1.0
 Test Device: GPM-1800B
 Distance: 6.435 m
 Humidity:
 Inspector:



CAJA DE EMPOTRAR
FLUSH FITTING BOX

①

10l / 15min

25cm

②

OFF

55-9663

8

ø87,5

55-9665/7

10

ø137

Ømin=5mm
Ømax=10mm

③

④

①

②

⑤ OPTION WARM FILTER / FROSTED FILTER

①

FILTER

②

⑥

55-9663

55-9665

55-9667

ON

Max 20KN
(2000Kg)

Max 18KN
(1800Kg)