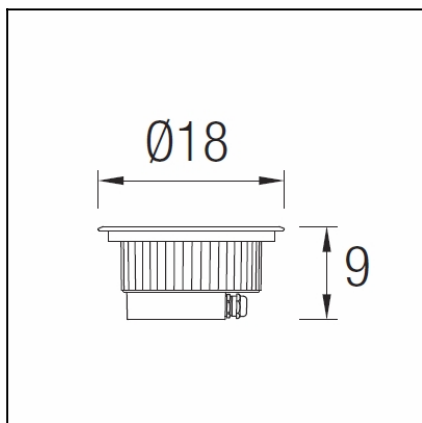




The photograph may not match the reference exactly. Please read the product description to identify the finish.



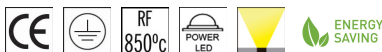
Download photometric file .ldt /.ies

DESCRIPTION

May be flush mounted into the floor. Body produced in injected aluminium, with an AISI 316 stainless steel surround and a clear glass diffuser. LED light source comprising 4,200 PHILIPS POWER LED or RGB light. Offered in two sizes and different wattages. Beam aperture of 25°. Driver included (100-240V) for the white LED versions. The RGB version requires EASY RGB controllers available only from the LEDS-C4 Outdoor catalogue. Includes 3000K warm light filter and a light diffuser filter. Its wire outlets on both sides makes it suitable for an array installation. It can be rotated by +/- 15°. Compact design (only 9cm deep).

TECHNICAL CHARACTERISTICS

Type:	Downlight
Adjustable $\pm 15^\circ$ on the vertical axis	
IP Protection degrees:	IP67
IK Protection degrees:	IK08
Bulb:	9 x LED Philips. Neutral white - 4000K
Power (W):	18W
Total power consumption (W):	30
Luminous efficacy (Lm/W):	103
CRI:	75
Angle of the optics/Reflector:	25°
Voltage / Frequency:	220-240V/50-60Hz
Warranty (Years):	2
Option to extend the guarantee:	Yes, 5 years
Units per box:	2
Net Weight (Kg):	2.09
EAN:	8435381400248



MATERIALS / FINISHES

Structure material: Stainless steel AISI316 High purity aluminium	Diffuser material: Glass
Structure finish: Polished Black	Diffuser finish: Tempered

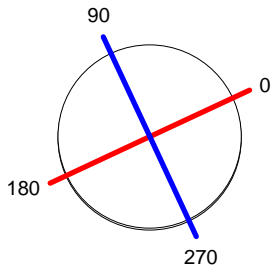
GEAR

Multi-voltage electronic gear included (220-240V / 50-60 Hz)

Luminaire		Measur.		Lamp	
Code	55-9667-CA-37	Code	15-9665-CA-37	Code	15-9665-CA-37
Name	Uplight GEA leds 9x3W	Name	Downlight GEA leds 9x3W	Number	1
Line	- LEDS C4 LEDS	Date	27-03-2013	Position	Universal
Efficiency	100.00%	Coordinate system	CG	Total Flux	1283.90 lm
Maximum value	10775.64 cd	Position	C=0.00 G=0.00	Double Symmetrical	
Round Recessed Luminaire	Diam.	190 mm	Height	4 mm	
Round Luminous Area	Diam.	122 mm	Height	0 mm	
Horizontal Luminous Area	0.011690 m2	Emitting area on Plane 180°	0.000000 m2		
Emitting area on Plane 0°	0.000000 m2	Emitting area on Plane 270°	0.000000 m2		
Emitting area on Plane 90°	0.000000 m2	Glare area at 76°	0.002828 m2		
Symmetry Type	Double Symmetrical	Maximum Gamma Angle	90		
Measurement Distance	6.44	Measurement Flux	1283.90 lm		
Operator	Asselum T2	Source voltage	230.00 V		
Temperature	20.00 °C	Source current			
Humidity	51.00 %	Photocell	PRC		
Notes					

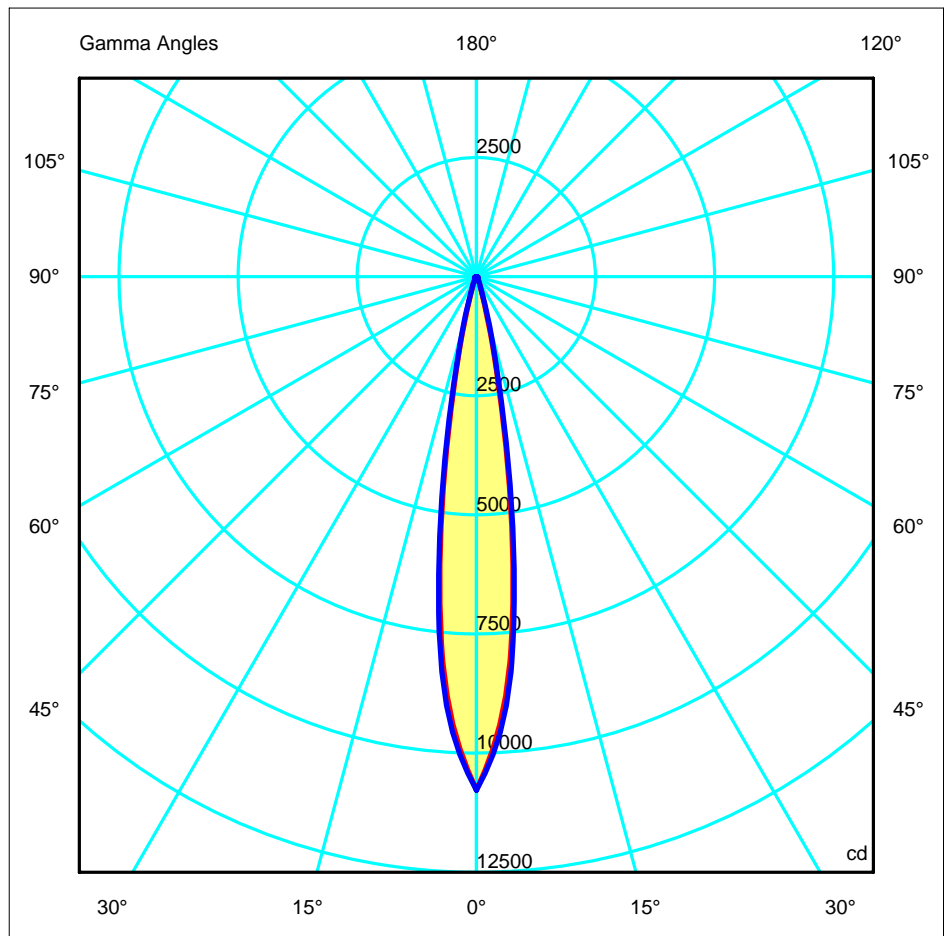
Luminaire Lamps						
Line	Code	Name	Flux [lm]	Pow. [W]	Q.ty	
- LEDS C4 LEDS	15-9665-CA-37	Lámpara led blanco 27W	1283.90	27.00	1	
C.I.E.	92 96 100 100 100	D DIN 5040				A60
F UTE	1.00 A	B NBN				BZ 1

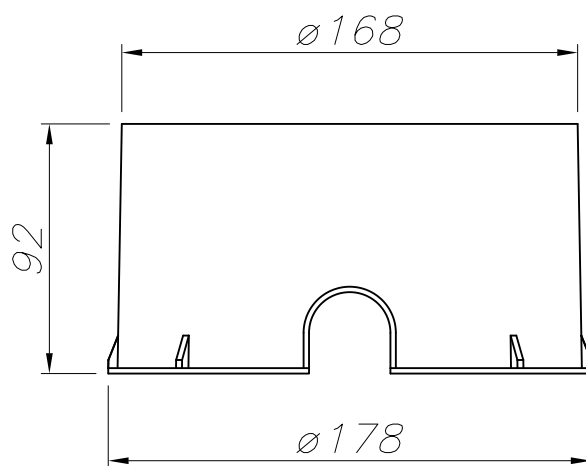
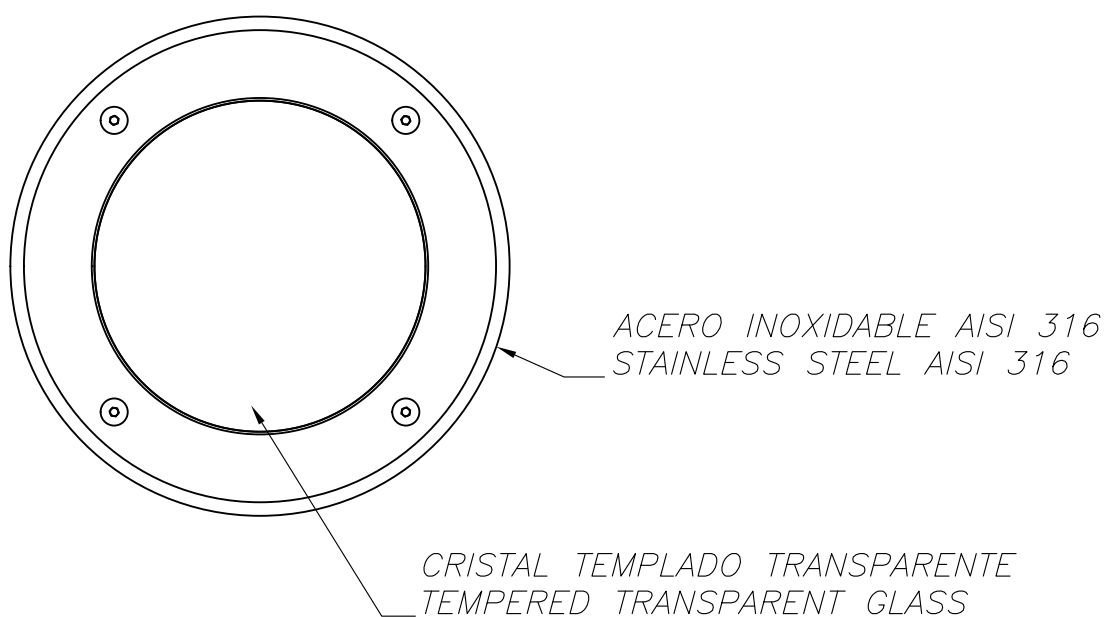
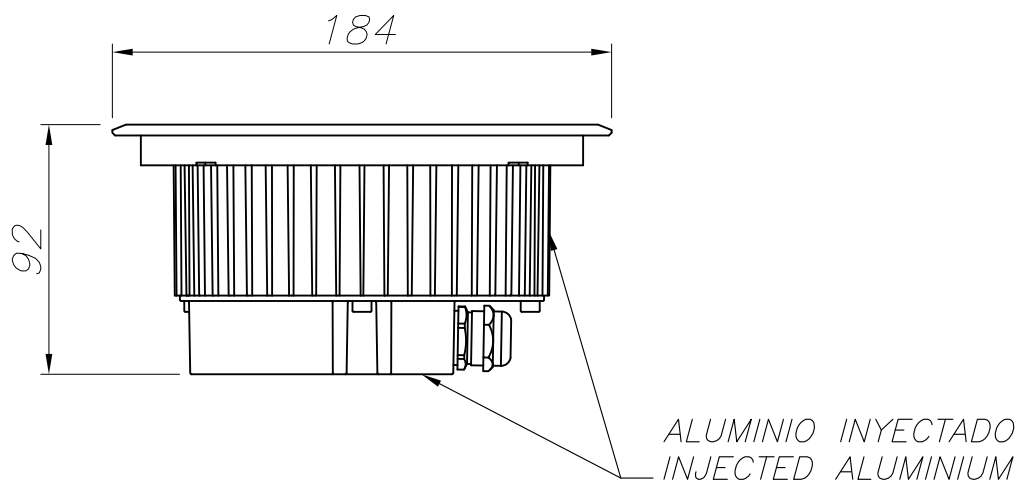
Diam=190mm Incasso



C Halfplanes
 180.0 — 0.0
 270.0 — 90.0

ULOR 0.00 %
 DLOR 100.00 %
 RN 0.00 %





CAJA DE EMPOTRAR
FLUSH FITTING BOX

