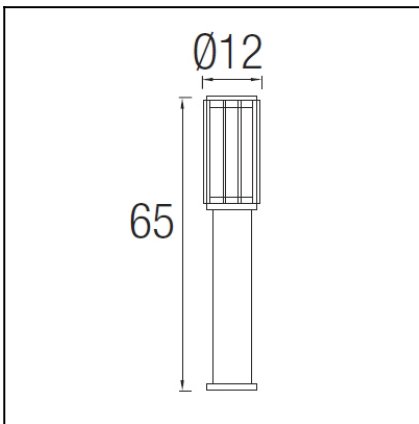




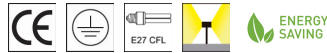
The photograph may not match the reference exactly. Please read the product description to identify the finish.



Download photometric file .ldt /.ies

TECHNICAL CHARACTERISTICS

| | |
|------------------------|------------------|
| Type: | Beacon |
| IP Protection degrees: | IP44 |
| Lampholder: | 1 x E27 |
| Power (W): | E27 max.30W |
| Voltage / Frequency: | 220-240V/50-60Hz |
| Warranty (Years): | 2 |
| Units per box: | 1 |
| Net Weight (Kg): | 1.98 |
| EAN: | 8435381402693 |

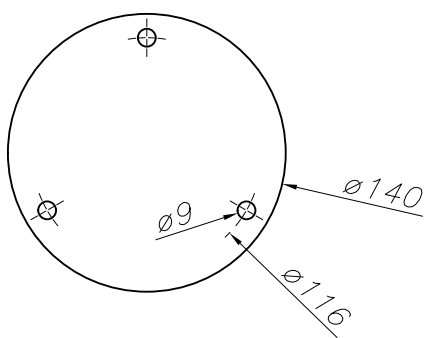
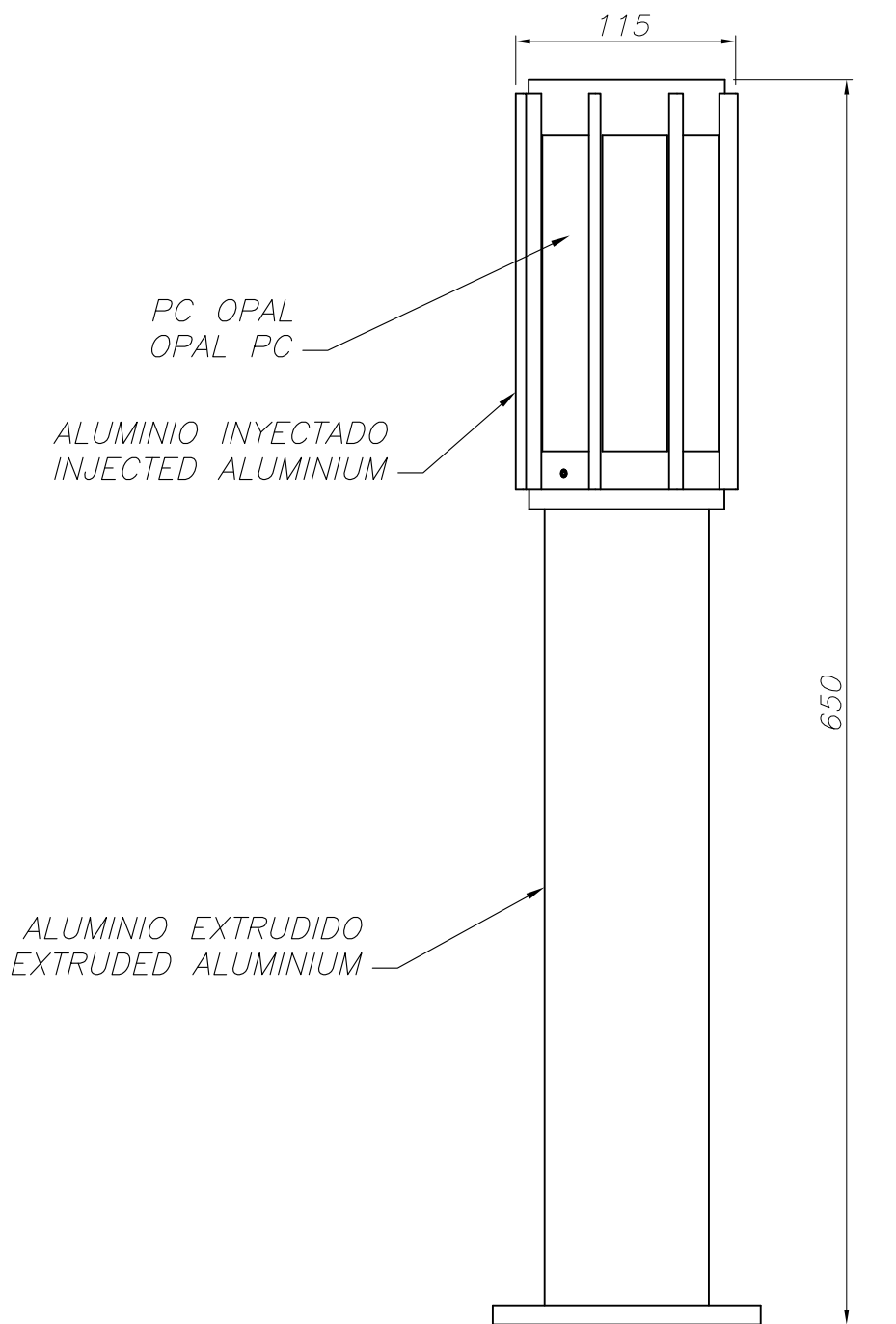

MATERIALS / FINISHES

Structure material: Aluminium

Diffuser material: Polycarbonate

Structure finish: Grey

Diffuser finish: Opal



PLANTILLA DE INSTALACIÓN
INSTALLATION TEMPLATE

