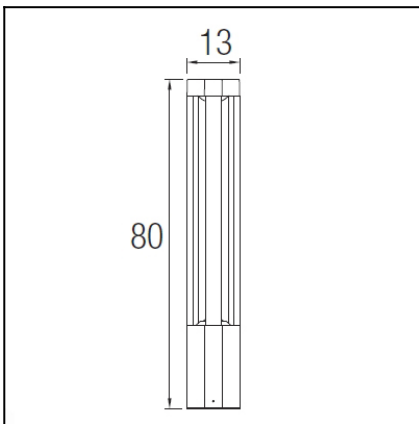


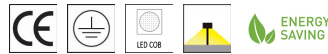


The photograph may not match the reference exactly. Please read the product description to identify the finish.



TECHNICAL CHARACTERISTICS

Type:	Beacon
IP Protection degrees:	IP54
Bulb:	1 x LED Edison. Warm White - 3000K
Power (W):	LED Edison 6W
Luminous efficacy (Lm/W):	73
Voltage / Frequency:	100-240V/50-60Hz
Warranty (Years):	2
Option to extend the guarantee:	Yes, 5 years
Units per box:	4
Net Weight (Kg):	2.025
EAN:	8435381404437



MATERIALS / FINISHES

Structure material: Aluminium

Diffuser material: Polycarbonate

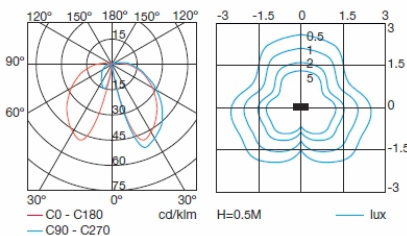
Structure finish: Urban grey

Diffuser finish: Opal

GEAR

Multi-voltage electronic gear included (110-240 V / 50-60 Hz)

LED 6W

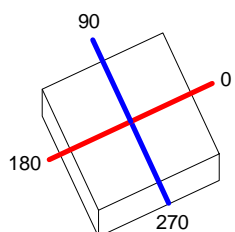


Download photometric file .ldt / .ies

Luminaire		Measur.		Lamp		
Code	55-9721	Code	55-9603	Code	55-9603	
Name	Baliza leds difusor opal	Name	Baliza leds difusor opal	Number	1	
Line	Eulumdat	Date	10-11-2011	Position		
Efficiency	100.00%	Coordinate system	CG	Total Flux	153.69 lm	
Maximum value	59.00 cd	Position	C=315.00 G=20.00	Sym. on planes	270-90	
Rectangular Luminaire	Length	123 mm	Width	123 mm	Height	805 mm
Rectangular Luminous Area	Length	90 mm	Width	90 mm	Height	15 mm
Horizontal Luminous Area	0.008100 m2	Emitting area on Plane 180°		0.001350 m2		
Emitting area on Plane 0°	0.001350 m2	Emitting area on Plane 270°		0.001350 m2		
Emitting area on Plane 90°	0.001350 m2	Glare area at 76°		0.003269 m2		
Symmetry Type	Sym. on planes 270-90	Maximum Gamma Angle		180		
Measurement Distance	0.00	Measurement Flux		153.69 lm		
Operator	Asselum T2	Source voltage				
Temperature	25.00 °C	Source current				
Humidity	60.00 %	Photocell				
Notes						

Luminaire Lamps						
Line	Code	Name	Flux [lm]	Pow. [W]	Q.ty	
Eulumdat	55-9603	55-9603 - 6.00 W	153.69	6.00	1	
C.I.E.	38 68 88 94 100	D DIN 5040		A21		
F UTE	0.94 G + 0.06 T	B NBN		BZ 6		

123mm x 123mm



ULOR 6.32 %
DLOR 93.68 %
RN 6.32 %

