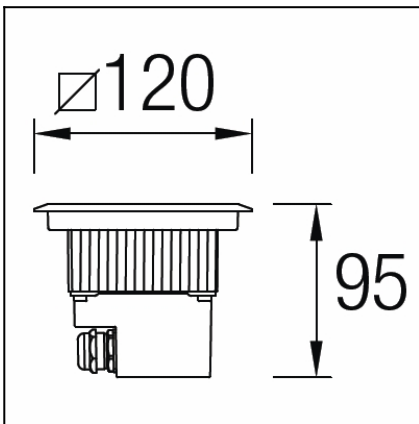




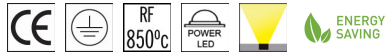
The photograph may not match the reference exactly. Please read the product description to identify the finish.



Download photometric file .ldt / .ies

### TECHNICAL CHARACTERISTICS

Type:	Downlight
Adjustable $\pm 15^\circ$ on the vertical axis	
IP Protection degrees:	IP67
IK Protection degrees:	IK08
Bulb:	3 x LED Cree. Neutral white - 4000K
Power (W):	6.5W
Luminous efficacy (Lm/W):	103
CRI:	75
Angle of the optics/Reflector:	$25^\circ$
Voltage / Frequency:	100-240V/50-60Hz
Warranty (Years):	2
Units per box:	12
Net Weight (Kg):	0.925
EAN:	8435381412647



### MATERIALS / FINISHES

**Structure material:** Stainless steel AISI316  
**Structure finish:** Polished

**Diffuser material:** Glass  
**Diffuser finish:** Tempered

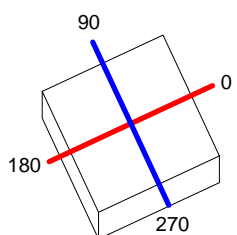
### GEAR

Multi-voltage electronic gear included (100-240V / 50-60Hz)

<b>Luminaire</b>		<b>Measur.</b>		<b>Lamp</b>		
Code	90-1898-S2-N3	Code	90-1898-S2-N3	Code	LED	
Name	90-1898-S2-N3	Name	90-1898-S2-N3	Number	6	
Line	DELTA 6	Date	23-10-2012	Position		
Efficiency	94.12%	Coordinate system	CG	Total Flux	972.00 lm	
Maximum value	4591.83 cd	Position	C=90.00 G=1.00	Asymmetrical		
Rectangular Luminaire	Length	1 mm	Width	1 mm	Height	1 mm
Rectangular Luminous Area	Length	1 mm	Width	1 mm	Height	0 mm
Horizontal Luminous Area	0.000001 m2	Emitting area on Plane 180°		0.000000 m2		
Emitting area on Plane 0°	0.000000 m2	Emitting area on Plane 270°		0.000000 m2		
Emitting area on Plane 90°	0.000000 m2	Glare area at 76°		0.000000 m2		
Symmetry Type	Asymmetrical	Maximum Gamma Angle		90		
Measurement Distance	0.00	Measurement Flux		972.00 lm		
Operator		Source voltage				
Temperature	25.00 °C	Source current				
Humidity	60.00 %	Photocell				
Notes						

Luminaire Lamps						
Line	Code	Name	Flux [lm]	Pow. [W]	Q.ty	
IESNA-1995	LED	XBD/WW-Q3 - 2.42 W	162.00	2.42	6	
C.I.E.	94 98 100 100 94	D DIN 5040		A60		
F UTE	0.94 A	B NBN		BZ 1		

1mm x 1mm



**C Halfplanes**

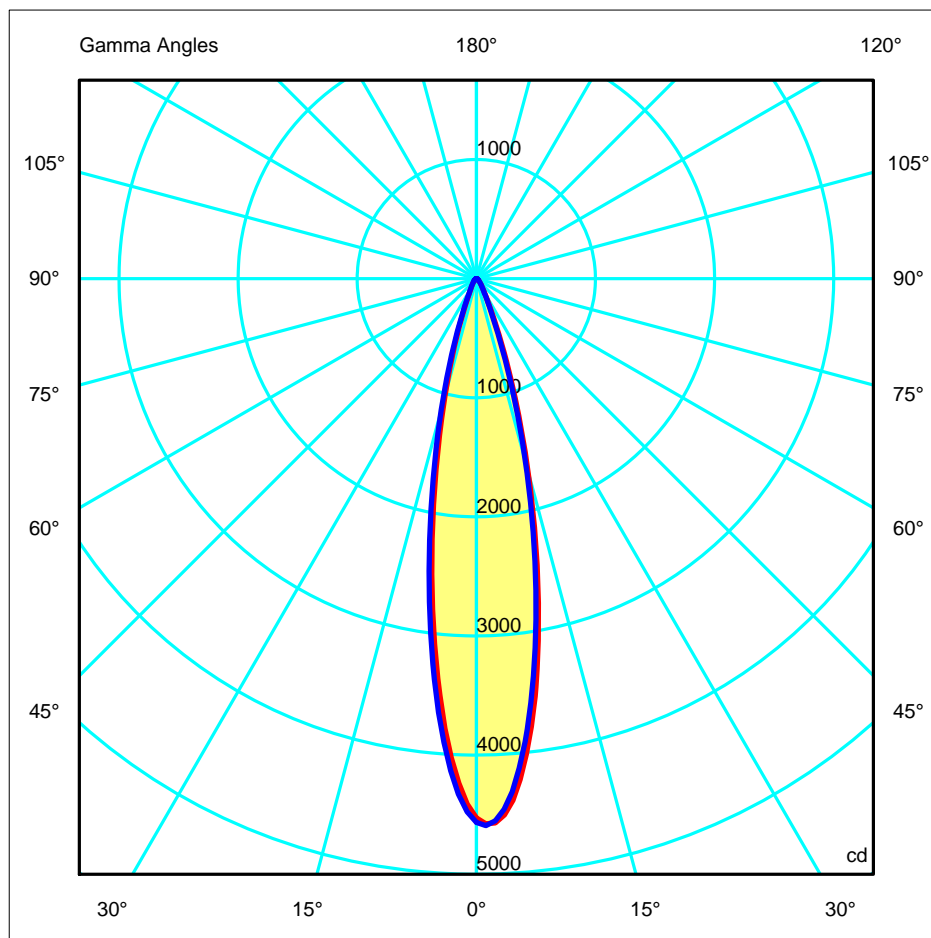
180.0 — 0.0 (Red line)

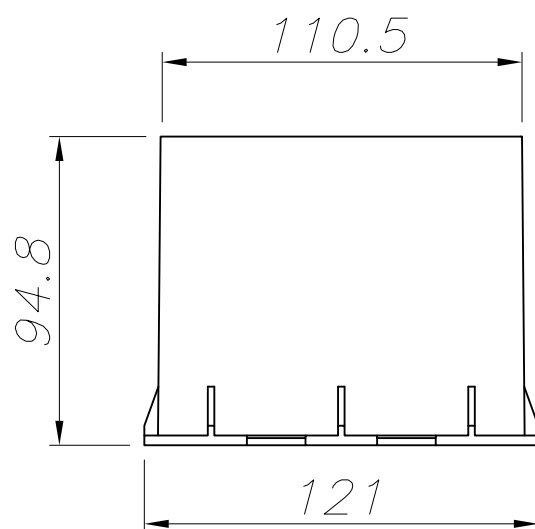
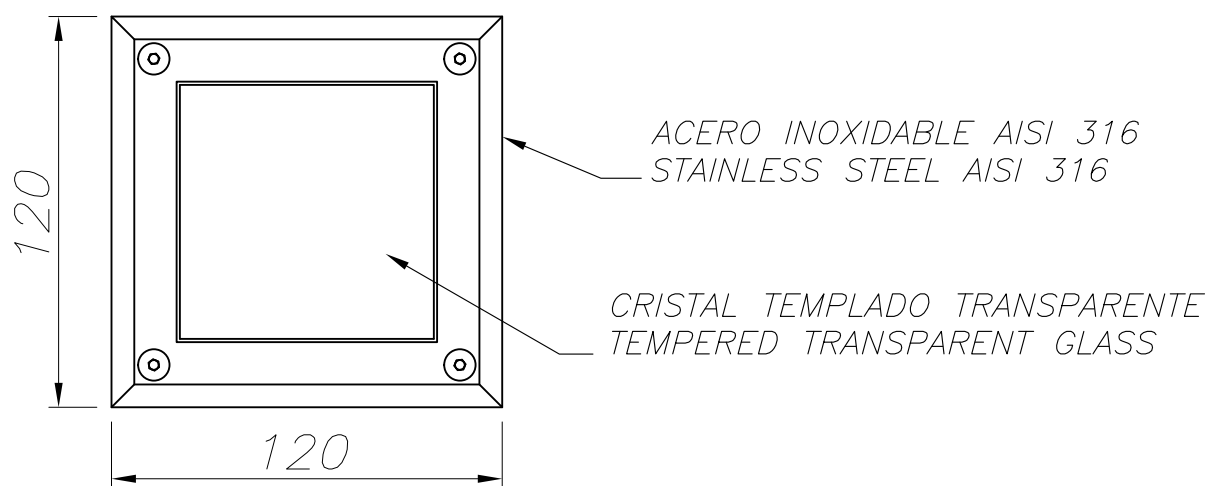
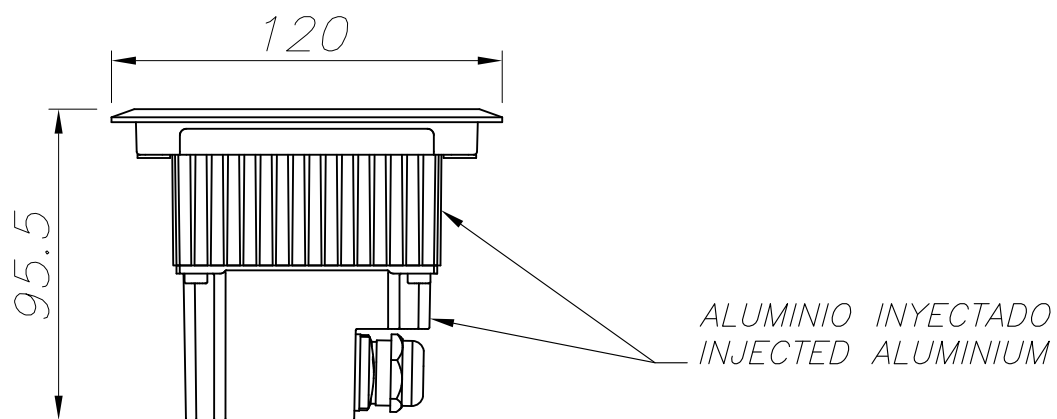
270.0 — 90.0 (Blue line)

ULOR 0.00 %

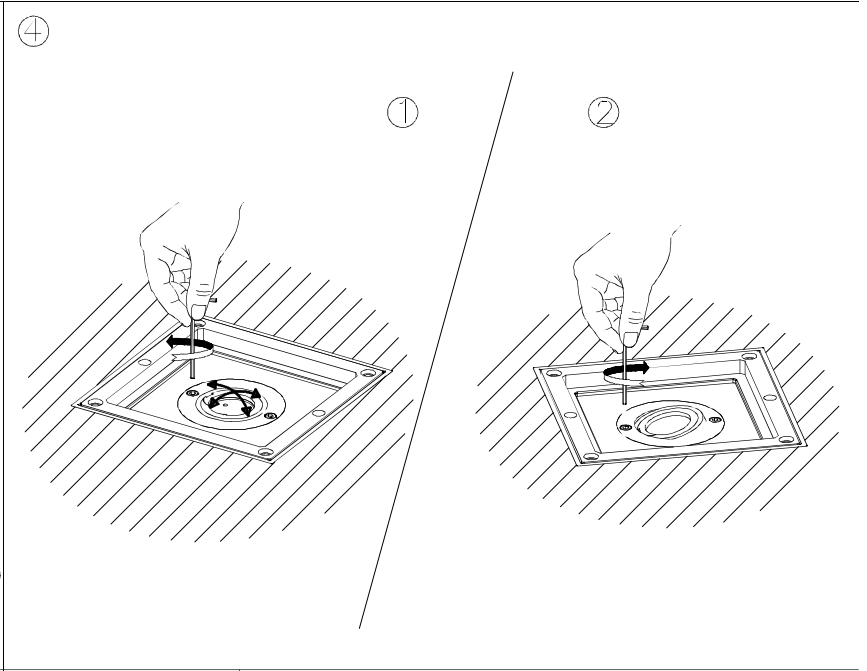
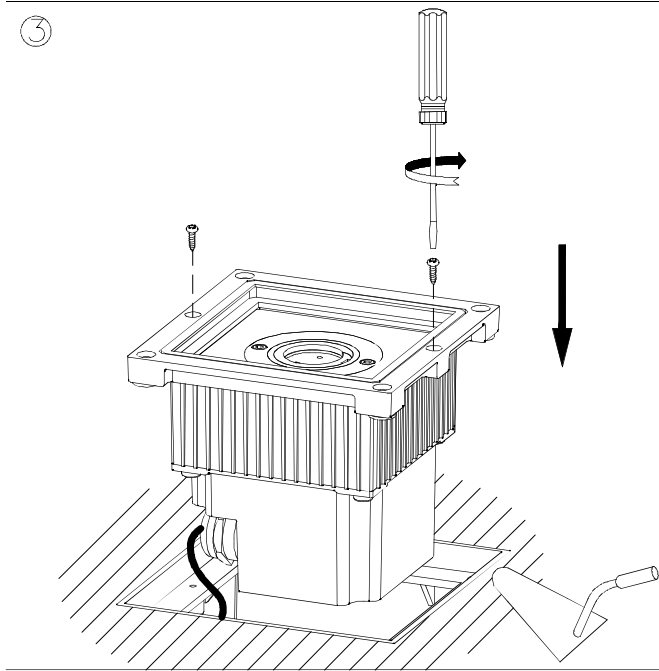
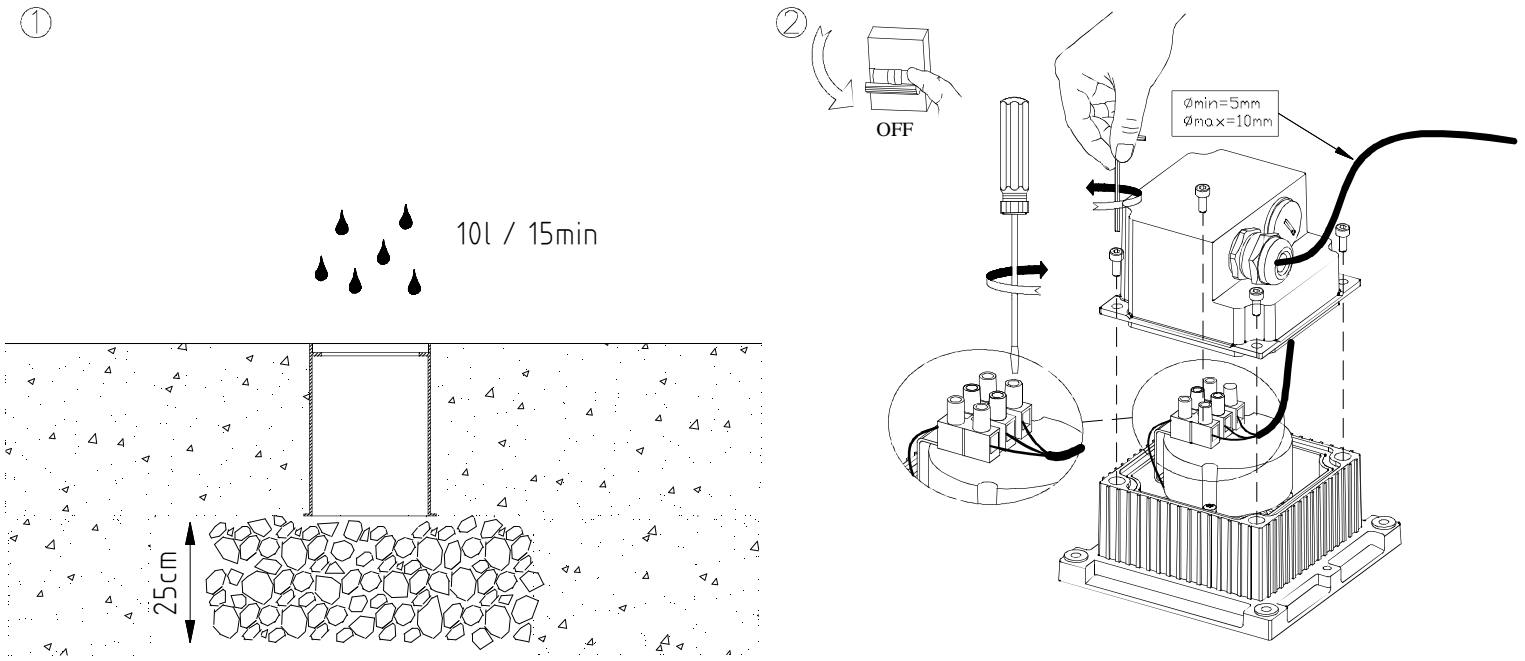
DLOR 94.12 %

RN 0.00 %





CAJA DE EMPOTRAR  
FLUSH FITTING BOX



⑤ OPTION WARM FILTER / FROSTED FILTER

