

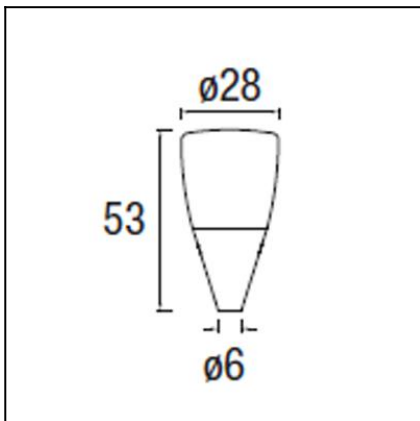
OUT 

HEADS

60-9375-Z5-37



The photograph may not match the reference exactly. Please read the product description to identify the finish.



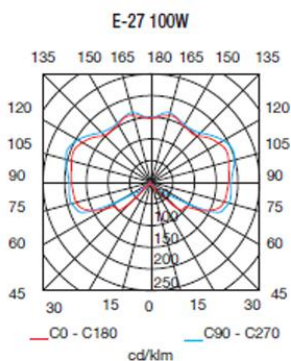
TECHNICAL CHARACTERISTICS

Type:	Streetlight head
IP Protection degrees:	IP65
IK Protection degrees:	IK08
Lampholder:	1 x E27
Power (W):	E27 MAX 150W
Total power consumption (W):	150
Voltage / Frequency:	230V/50Hz
Warranty (Years):	2
Units per box:	2
Net Weight (Kg):	2.73
EAN:	8435111069769



MATERIALS / FINISHES

Structure material: Technopolymer Fiber glass	Diffuser material: Polycarbonate
Structure finish: Urban grey	Diffuser finish: Matt

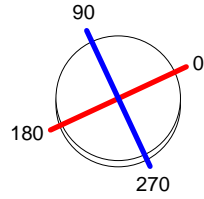


Download photometric file .ldt /.ies

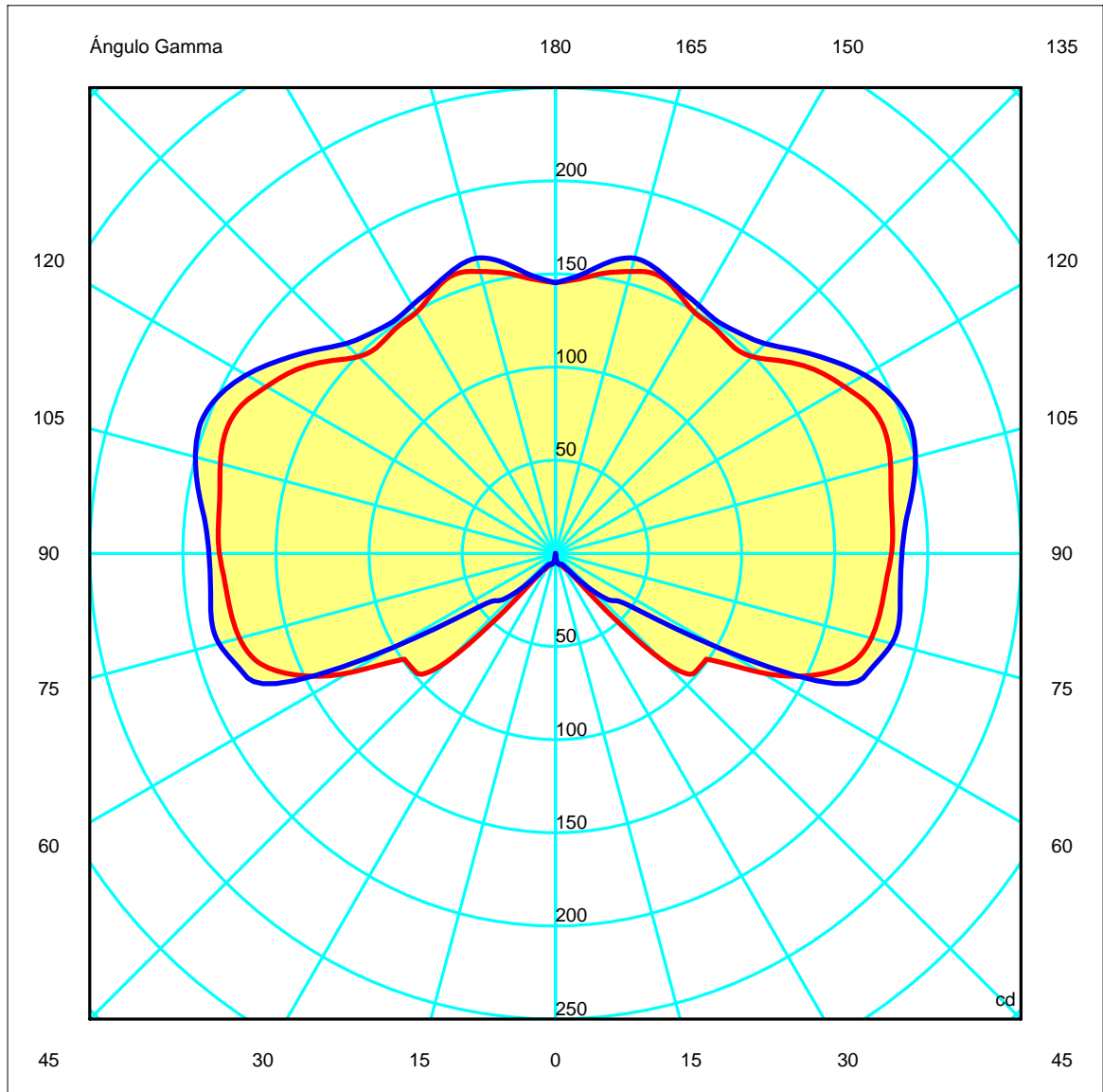
Luminaria		Ensayo		Lámpara	
Código	60-9375-Z5-M3	Código	60-9375-25-M3	Código	KRIPTON 150W E27
Nombre	Lum. ext. 150W A60 E27 difusor	Nombre	Lum. ext. 150W A60 dif translú	Número	1
Familia	- LEDS-C4	Fecha	03-08-2009	Posición	Unioversal
Eficiencia	93.39%	Sist. de Coorden.	C-G	Flujo Total	1940.00 lm
Valor Máximo	203.00 cd	Posición	C=90.00 G=110.00	Bisimétrico	

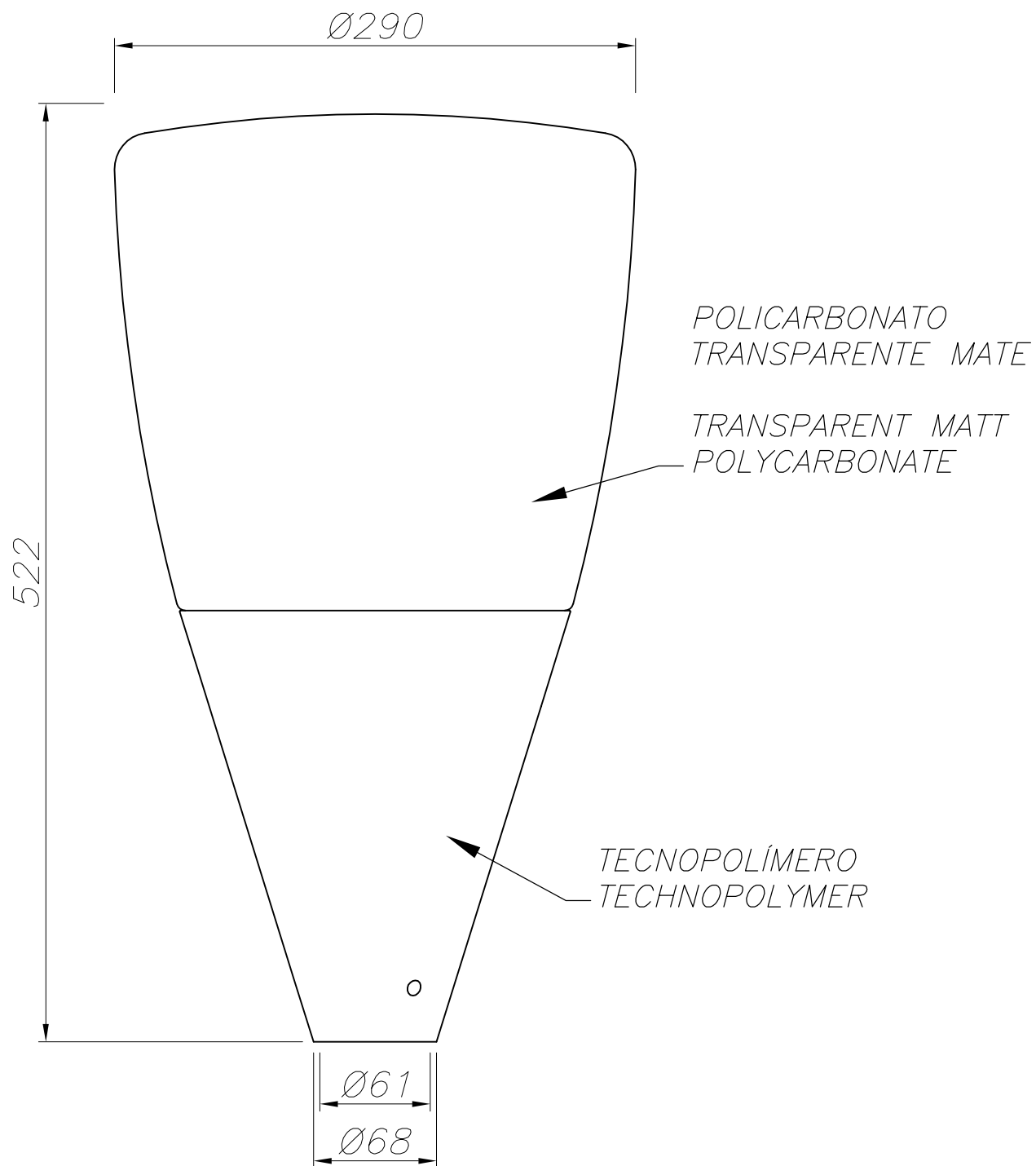
Diam=290mm

Semiplanos C

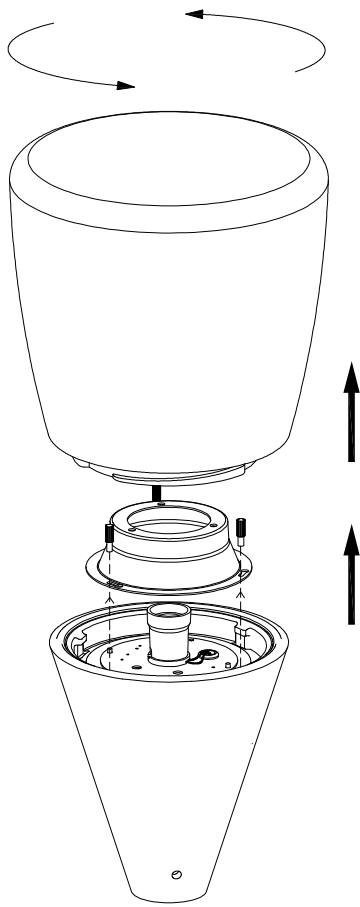


180.0 ————— 0.0
 270.0 ————— 90.0

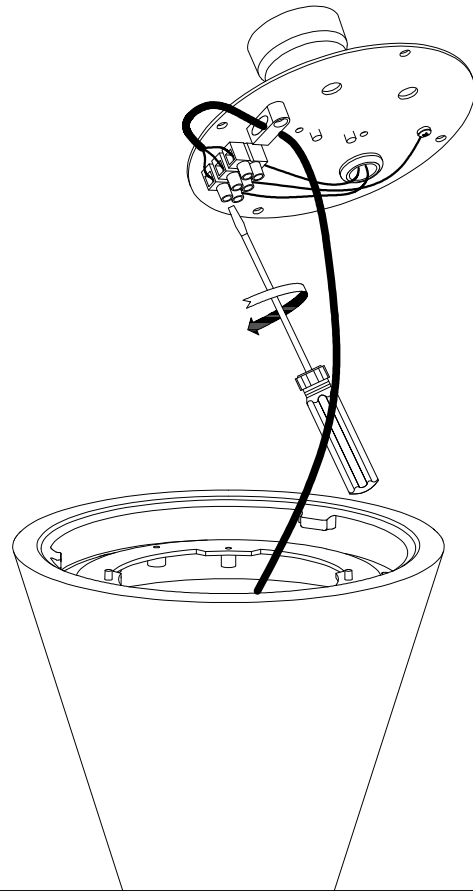




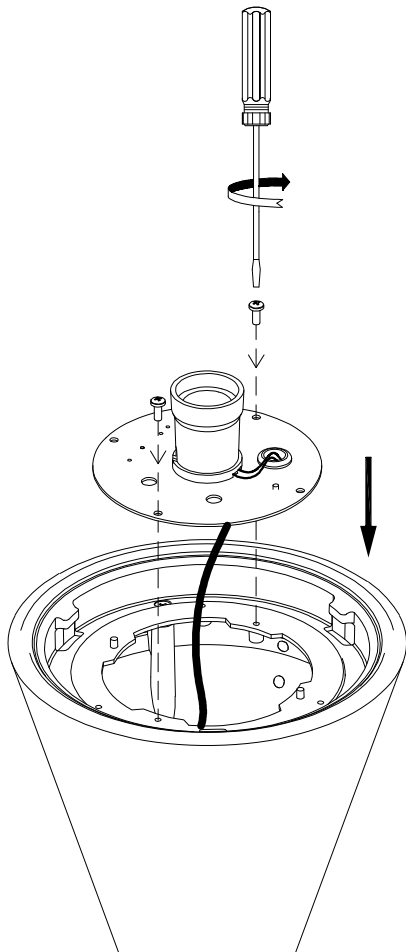
①



②



③



④

