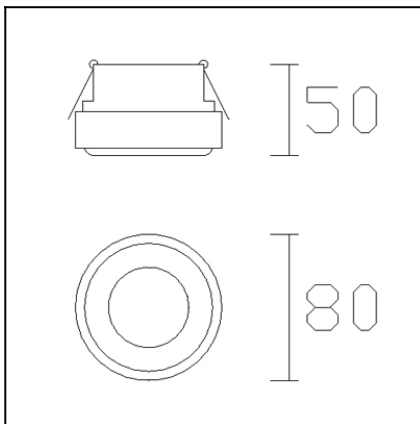




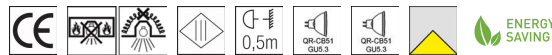
The photograph may not match the reference exactly. Please read the product description to identify the finish.



Download photometric file .ldt /.ies

TECHNICAL CHARACTERISTICS

| | |
|------------------------|------------------------|
| Type: | Downlight |
| IP Protection degrees: | IP54 |
| Lampholder: | 1 x GU5.3 1 x GU5.3 |
| Power (W): | GU5.3 50W GU5.3 10W |
| Voltage / Frequency: | 12V/50Hz |
| Warranty (Years): | 2 |
| Units per box: | 20 |
| Net Weight (Kg): | 0.27 |
| EAN: | 8435381400057,00 |


MATERIALS / FINISHES

Structure material: Aluminium

Diffuser material: Glass

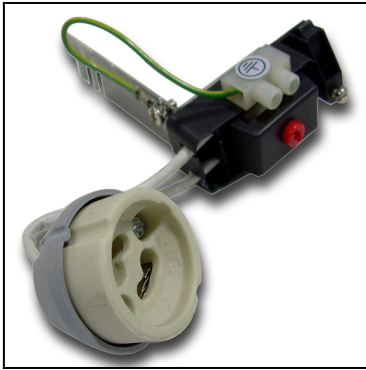
Structure finish: Chrome

Diffuser finish: Transparent

GEAR

Necessary equipment not included. For more information check website / catalogs / sales organization.

71-4396-00-00

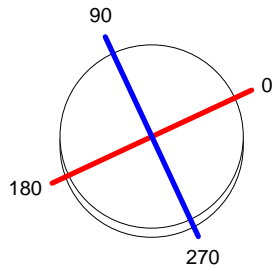


IP20

| | | | | | |
|----------------------------|--------------------------|-------------------|-----------------------------|--------------------|-----------|
| Luminaire | | Measur. | | Lamp | |
| Code | 90-1689-21-37 | Code | 90-1689-21-37 | Code | 46870VWFL |
| Name | Downlight halo 50W GU5.3 | Name | Downlight halo 50W GU5.3 | Number | 1 |
| Line | - LEDS-C4 | Date | 18-01-2013 | Position | Universal |
| Efficiency | 88.49% | Coordinate system | C-G | Total Flux | 857.00 lm |
| Maximum value | 841.65 cd | Position | C=30.00 G=5.00 | Double Symmetrical | |
| Round Luminaire | Diam. | 80 mm | Height | 30 mm | |
| Round Luminous Area | Diam. | 43 mm | Height | 20 mm | |
| Horizontal Luminous Area | 0.001452 m2 | | Emitting area on Plane 180° | 0.000860 m2 | |
| Emitting area on Plane 0° | 0.000860 m2 | | Emitting area on Plane 270° | 0.000860 m2 | |
| Emitting area on Plane 90° | 0.000860 m2 | | Glare area at 76° | 0.001186 m2 | |
| Symmetry Type | Double Symmetrical | | Maximum Gamma Angle | 180 | |
| Measurement Distance | 6.44 | | Measurement Flux | 705.00 lm | |
| Operator | Asselum T2 | | Source voltage | 230.00 V | |
| Temperature | 20.00 °C | | Source current | PRC | |
| Humidity | 49.00 % | | Photocell | | |
| Notes | | | | | |

| Luminaire Lamps | | | | | | |
|---------------------------|-----------------|------------------------------|--------|-------|-----|--|
| Line | Code | Name | Fluxlm | Pow.W | Qta | |
| OSRAM 2006 HS, HM, HD, HR | 46870VWFL | DECOSTAR® 51 TITAN 50W GU5.3 | 857.00 | 50.00 | 1 | |
| C.I.E. | 88 96 99 97 88 | D DIN 5040 | A61 | | | |
| F UTE | 0.86 A + 0.03 T | B NBN | BZ 1 | | | |

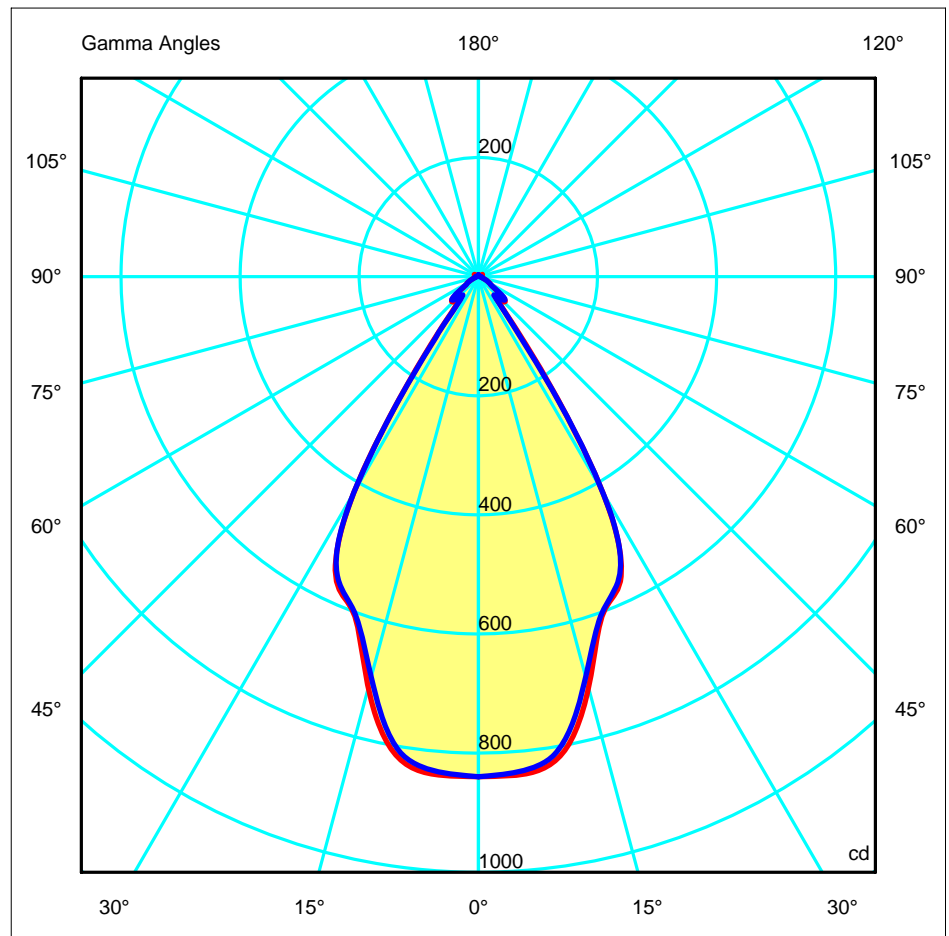
Diam=80mm

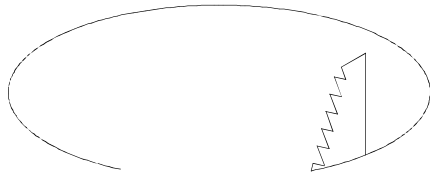


C Halfplanes

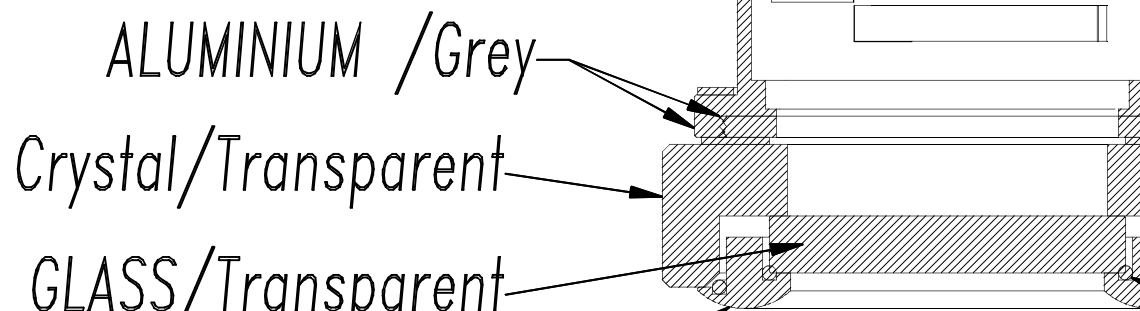
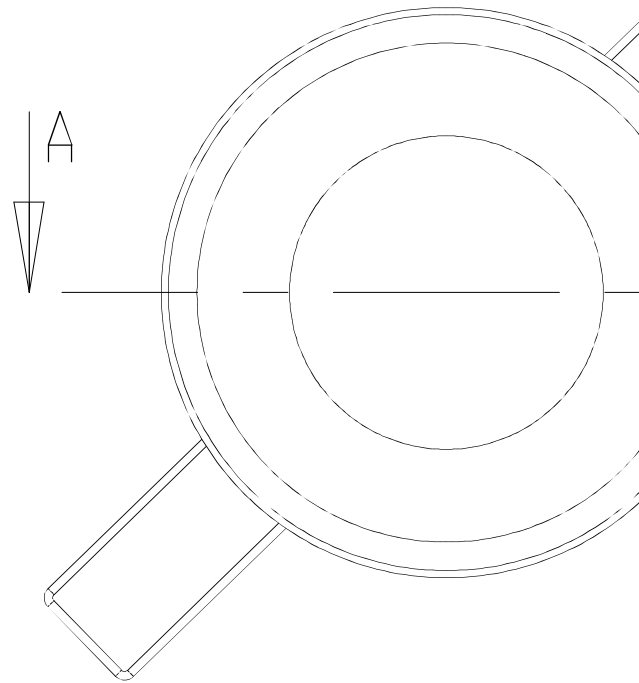
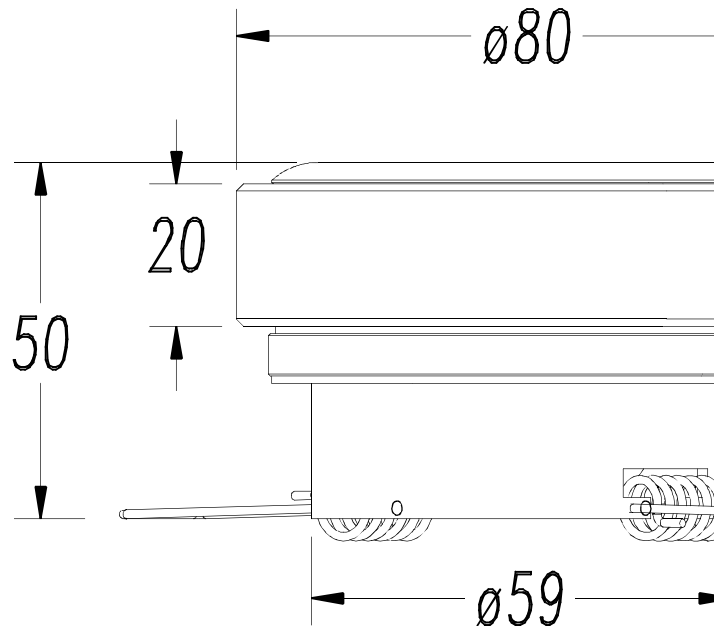
180.0 — 0.0
270.0 — 90.0

ULOR 2.78 %
DLOR 85.70 %
RN 3.15 %

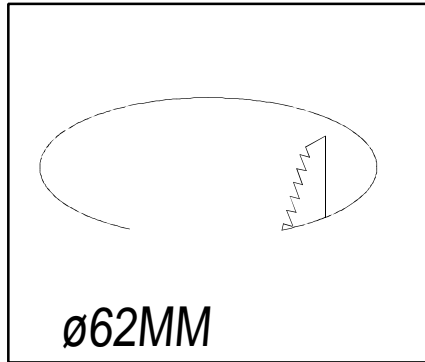
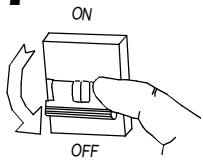




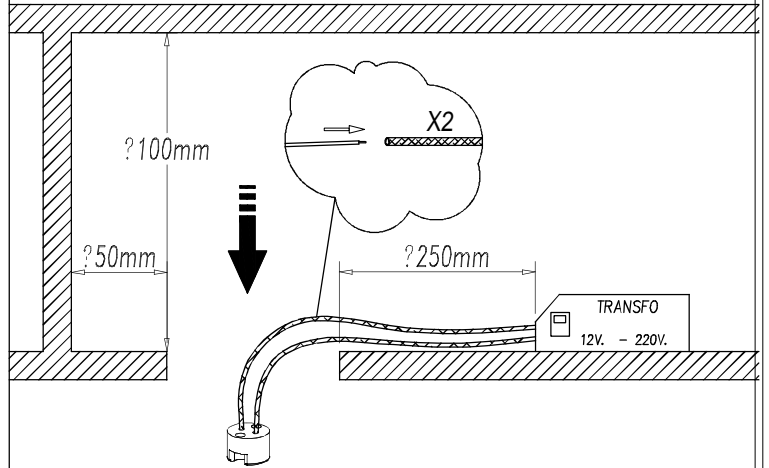
ø62MM



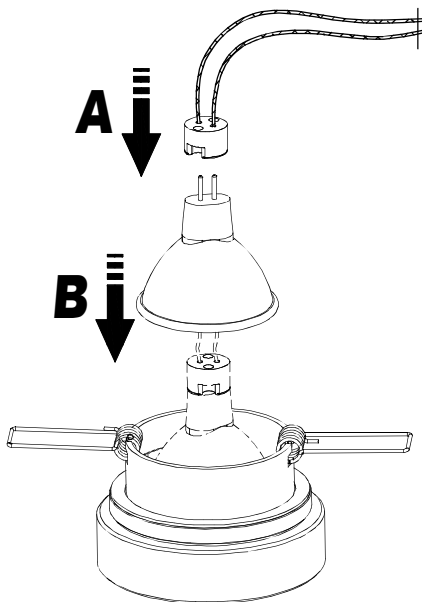
1



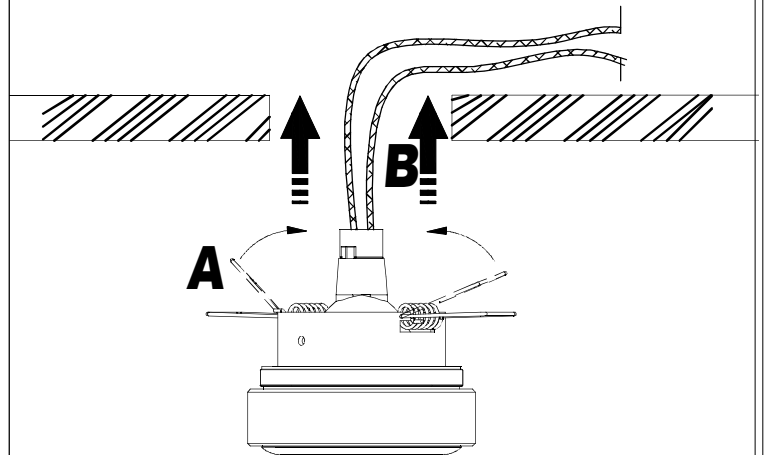
2



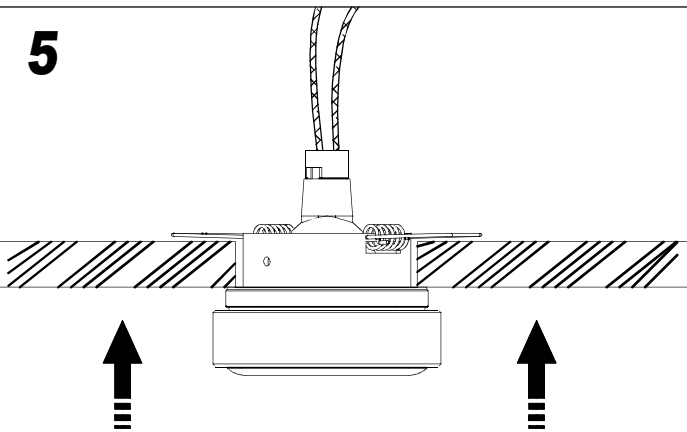
3



4



5



6

