
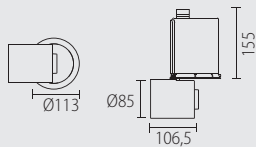



Bond






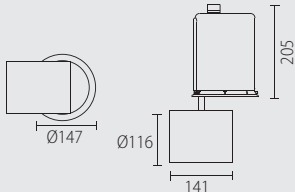
14	ALU	CE	RF	90°	10°	 página / page / pagina 269
	GLASS	IP 20	850°C	355°	24°	
		0,2m	.IES	45°		



HCI-TF

GU6.5



71-1933-14-37	○	max.35W		10°
71-1539-14-37	○			24°
71-1934-14-37	○			45°

14	ALU	CE	RF	90°	10°	 página / page / pagina 274	 página / page / pagina 269
	GLASS	IP 20	850°C	355°	24°		
		0,5m	.IES	45°			

QR-111 / AR-111

G53



71-1929-14-00	○	max.100W			09-14
----------------------	---	----------	---	--	-------

Preparado para lámparas LED / Suitable for LED lamps / Préparé pour lampes LED / Preparado para lâmpadas LED / Adatto per lampade LED

CDM-R111

GX8.5




71-1849-14-00	○	max.70W			15-20
----------------------	---	---------	---	--	-------

HIT-T

G12



71-1930-14-37	○	max.70W		10°
71-1931-14-37	○			24°
71-1932-14-37	○			45°

AR-111




GU10





71-1928-14-00	○	-	-		22-25
----------------------	---	---	---	--	-------

Preparado para lámparas LED / Suitable for LED lamps / Préparé pour lampes LED / Preparado para lâmpadas LED / Adatto per lampade LED

Accesorios / Accessories / Accessoires / Acessórios / Accessori

	ACT-9127-11-00	HIT-T		Filtro / Filter / Filtre / Filtro / Filtro
	ACT-9131-11-00	QR-111		Filtre / Filtro / Filtro

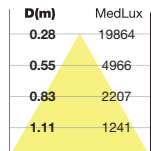
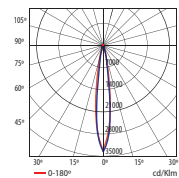
	ACT-9127-24-00	HIT-T		Filtro / Filter / Filtre / Filtro / Filtro
	ACT-9131-24-00	QR-111		Filtre / Filtro / Filtro

	ACT-9127-08-00	HIT-T		Filtro / Filter / Filtre / Filtro / Filtro
	ACT-9131-08-00	QR-111		Filtre / Filtro / Filtro

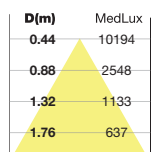
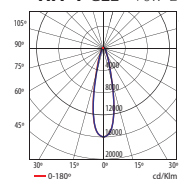
	ACT-9135-60-00	HIT-T		Panel de abeja / Honeycomb / Rayon de miel / Estrutura tipo "favo de mel" / Struttura a nido d'ape
---	-----------------------	--------------	---	---

	ACT-9127-25-00	HIT-T		Filtro / Filter / Filtre / Filtro / Filtro
	ACT-9131-25-00	QR-111		Filtre / Filtro / Filtro

HIT-T G12 70W 10°



HIT-T G12 70W 24°



HIT-T G12 70W 45°

