

NINFEA

DESIGN: STEPHAN VEIT, 2015

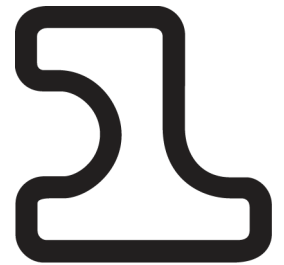


Ninfea

This lounge table deserves a place in any living room. Ninfea offers countless colourful choices and is extremely flexible as well. The three round leaves rotate around a point, which the designer just happened to place off-centre. So you turn each leaf for as long as it takes to find the perfect table space for the moment. Close to each other for a tidy room, or in maximum size for those cosy moments.

Features

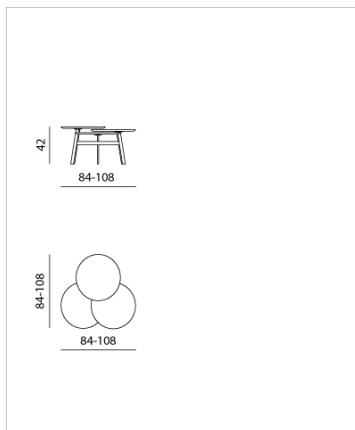
- Ninfea's leaves are lacquered (all Leolux colours) or finished in oak (oil or stain). Colour and material can be chosen per leaf.
- The steel frame is anodised or lacquered.



NINFEA

DESIGN: STEPHAN VEIT, 2015

Ninfea - lounge table

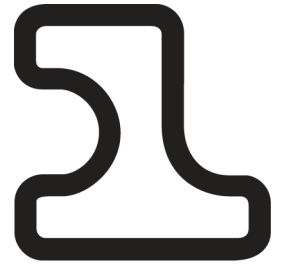


Dimensions (cm)

Width: 108

Length: 108

Height: 42



NINFEA

DESIGN: STEPHAN VEIT, 2015

Leaves

Solid oak, lacquer

“Oak” finish

Standard: oiled (natural), option (extra charge): Oil Pale White, or (extra charge) all Leolux oak stain colours

“Lacquer” finish

All Leolux lacquer colours, RAL&Sikkens (except Style)

Subframe

Standard: Anodized steel, option (extra charge): All Leolux lacquer colours, RAL&Sikkens (except Style)

Foot caps

Felt

Swivel leaf mechanism

Steplessly adjustable pivot

Remarks

The finishing can be defined separately per leaf.

Design

Stephan Veit, 2015
