



# ragno

modello registrato  
registered model

Tavolo monolitico in vetro  
curvato da 15 mm.

Monolithic table  
in 15 mm-thick curved glass.

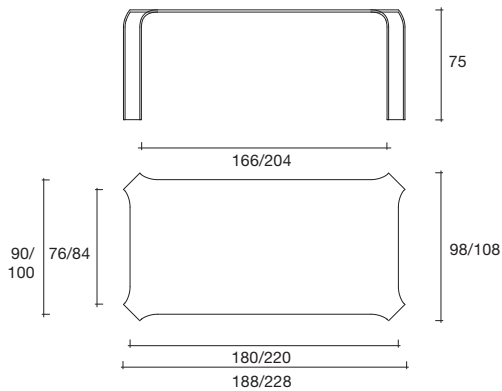
DESIGN  
VITTORIO LIVI



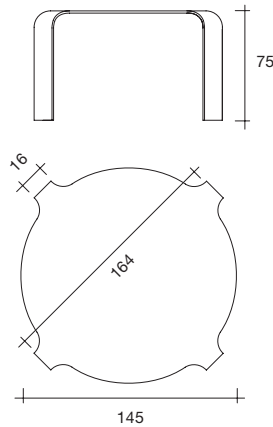
Sel. XIV Compasso d'Oro 1987

portata sul piano: 200 kg  
load capacity on the top: 200 kg

## PIANO RETTANGOLARE RECTANGULAR TOP



## PIANO ROTONDO ROUND TOP



dimensioni L/Ø, P, H  
dimensions L/Ø, W, H  
(cm)

COD./CODE

L/Ø

P/W

H

peso netto  
net weight  
(kg)

peso lordo  
gross weight  
(kg)

volume imballo  
package volume  
(m<sup>3</sup>)

Tavolo monolitico.  
Monolithic table.

01

188

98

75

75

109

2,04

03

228

108

75

96

136

2,64

Tavolo monolitico in vetro extralight.  
Monolithic table in extralight glass.

01/X

188

98

75

75

109

2,04

03/X

228

108

75

96

136

2,64

Tavolo monolitico rotondo.  
Monolithic table round shape.

05

Ø 164

75

82

118

2,14

Tavolo monolitico rotondo  
in vetro extralight.  
Monolithic table round shape  
in extralight glass.

05/X

Ø 164

75

82

118

2,14