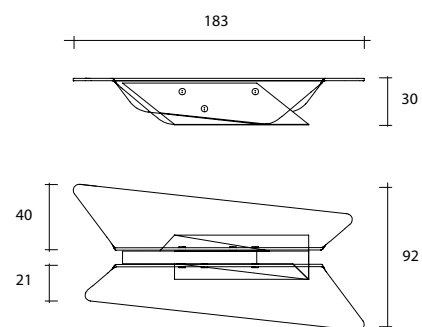


butterfly

DESIGN
PAOLO RIZZATTO

portata sul piano: 40 kg
total load capacity: 40 kg



Tavolino composto da due elementi in vetro trasparente curvato da 15 mm fissati ad un elemento centrale in MDF trattato con finitura cemento. Basamento e particolari in acciaio inox.

Coffee table composed of two elements in 15 mm-thick curved glass fixed to a central MDF board element with concrete-look finish. Base and details in stainless steel.

dimensioni L, P, H
dimensions L, W, H
(cm)

COD./CODE

L

P/W

H

peso netto
net weight
(kg)

peso lordo
gross weight
(kg)

volume imballo
package volume
(m³)

Tavolino con piani in vetro e base verniciata cemento.
Coffee table composed of two elements and central element with concrete-look finish.

BF/18

183

92

30

75

122

0,93