

BERENICE

design Alberto Meda/Paolo Rizzatto, 1985

**LUCE
PLAN**

Type: Table

Light source: 35W/12V HSGST GY6.35 EEL: B

Product use: Indoor

Materials: Metal parts in diecast aluminium, reinforced nylon frictional joints, rynite head parabolic reflector in metal or pressed glass.

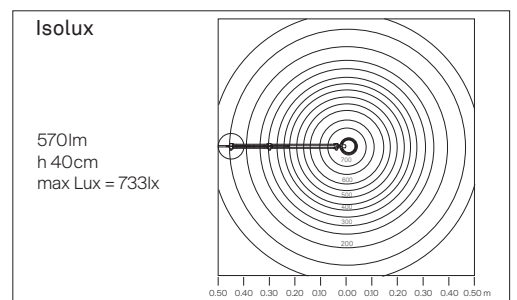
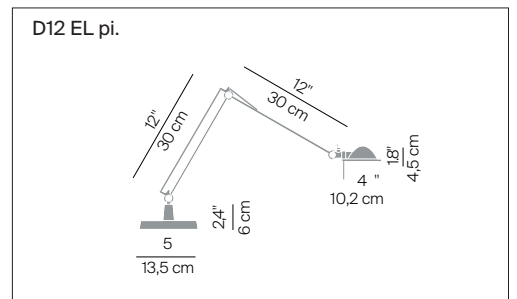
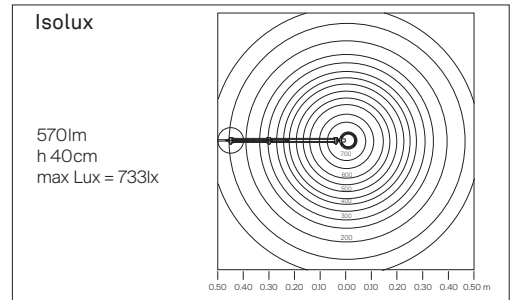
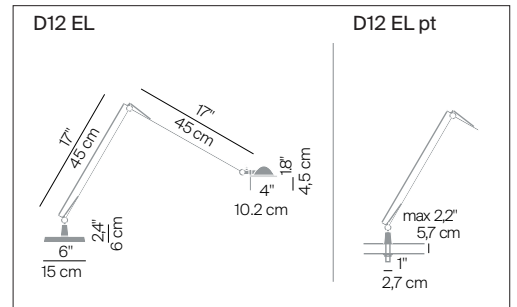
Colors: Structure in alu, black
Glass reflector in blue, ivory, green, red
Metal reflector in alu, black

Description: Petite and precise, solid and stable. The fluidity of the arm joints and the 360° rotary movement of the head allow the light to be directed with minimum obstruction and maximum manageability. The reflector, made of pressed glass or aluminium, emits a concentrated beam of light that focuses attention.

Insulation class:

Awards: Compasso d'Oro ADI selection, 1987

Reference code:	Structure		
	D12EL	1D120=00E020	alu
		1D120=00E001	black
	D12EL pt	1D120=0PE020	alu
		1D120=0PE001	black
	D12EL pi.	1D120=P0E020	alu
		1D120=P0E001	black
	Glass reflector		
	D12/4	1D120/4/1510	blue
		1D120/4/1507	red
		1D120/4/1511	green
		1D120/4/1502	white
	Metal reflector		
	D12/5	1D120/5/1520	alu
		1D120/5/1501	black



BERENICE

design Alberto Meda/Paolo Rizzatto, 1985

**LUCE
PLAN**

Type: Table


Light source: 35W/12V HSGST GY6.35 EEL: B

Product use: Indoor

Materials: Metal parts in diecast aluminium, reinforced nylon frictional joints, rynite head parabolic reflector in metal or pressed glass.

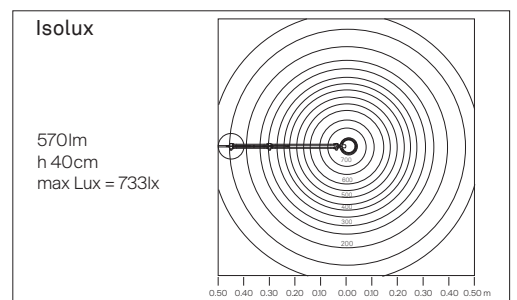
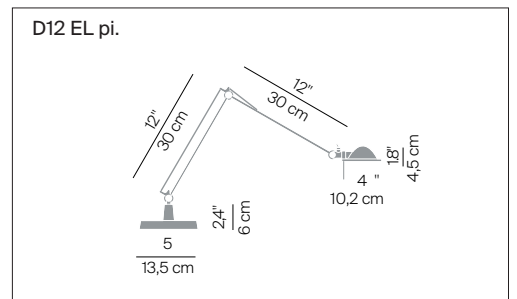
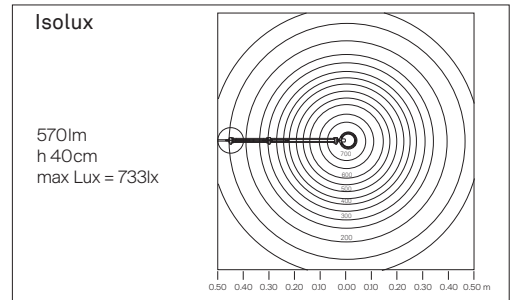
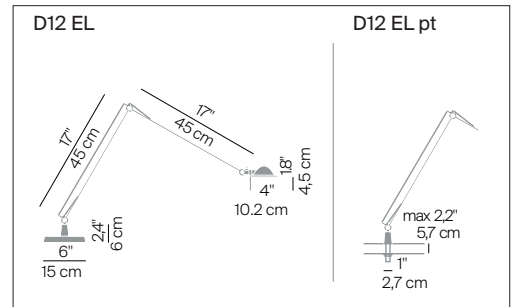
Colors: Structure in alu, black
Glass reflector in blue, ivory, green, red
Metal reflector in alu, black

Description: Petite and precise, solid and stable. The fluidity of the arm joints and the 360° rotary movement of the head allow the light to be directed with minimum obstruction and maximum manageability. The reflector, made of pressed glass or aluminium, emits a concentrated beam of light that focuses attention.

Insulation class: 

Awards: Compasso d'Oro ADI selection, 1987

Reference code:	Structure		
	D12EL	1D120=00E020	alu
		1D120=00E001	black
	D12EL pt	1D120=0PE020	alu
		1D120=0PE001	black
	D12EL pi.	1D120=P0E020	alu
		1D120=P0E001	black
	Glass reflector		
	D12/4	1D120/4/1510	blue
		1D120/4/1507	red
		1D120/4/1511	green
		1D120/4/1502	white
	Metal reflector		
	D12/5	1D120/5/1520	alu
		1D120/5/1501	black



BERENICE

design Alberto Meda/Paolo Rizzatto, 1985

**LUCE
PLAN**

Type: Table


Light source: 35W/12V HSGST GY6.35 EEL: B

Product use: Indoor

Materials: Metal parts in diecast aluminium, reinforced nylon frictional joints, rynite head parabolic reflector in metal or pressed glass.

Colors: Structure in alu, black
Glass reflector in blue, ivory, green, red
Metal reflector in alu, black

Description: Petite and precise, solid and stable. The fluidity of the arm joints and the 360° rotary movement of the head allow the light to be directed with minimum obstruction and maximum manageability. The reflector, made of pressed glass or aluminium, emits a concentrated beam of light that focuses attention.

Insulation class: 

Awards: Compasso d'Oro ADI selection, 1987

Reference code:	Structure		
	D12EL	1D120=00E020	alu
		1D120=00E001	black
	D12EL pt	1D120=0PE020	alu
		1D120=0PE001	black
	D12EL pi.	1D120=P0E020	alu
		1D120=P0E001	black
	Glass reflector		
	D12/4	1D120/4/1510	blue
		1D120/4/1507	red
		1D120/4/1511	green
		1D120/4/1502	white
	Metal reflector		
	D12/5	1D120/5/1520	alu
		1D120/5/1501	black

