




CAPPUCCINA

Design Inga Sempé, 2015

**LUCE
PLAN**

Type:	Table	
Light source:	LED 12W ⁽¹⁾ 3000K 698 lm (lampshade cream version)	EEL: A
Product use:	Indoor	
Materials:	Structure in die-cast aluminum (base and holder) and extruded aluminum (stem), diffuser in opaline blown glass, shade in fabric bonded to thermoplastics	
Colors:	structure: glacier light grey shades: brown/pluie, cream, green/cochenille	
Description:	Cappuccina by Inga Sempé is a fixture composed of a slender metal base and a spherical luminous body in opaline glass, containing an LED module, on which the fabric shade simply rests, without attachment: this configuration makes it possible to move the shade and orient the light to meet different needs.	



Insulation class:   

Reference code: Structure
D88 1D880=D00004 glacier light grey

Shade
D88/1 1D8801000028 brown/pluie
1D8801000003 cream
1D8801000011 green/cochenille



brown / pluie



cream



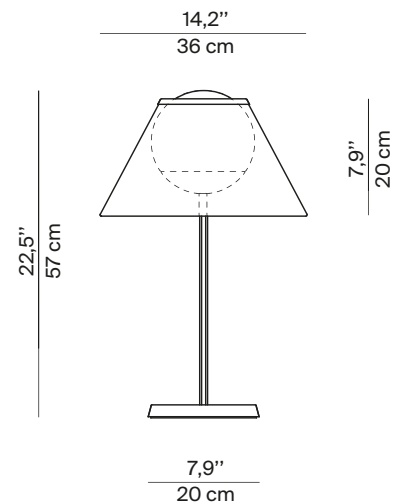
green / cochenille

Anti fall accessory
D88/3 1D8803000000

⁽¹⁾The LED lamps cannot be changed in the luminaire
Power consumption by device



D88



D88/3 accessory

