

# FLY-TOO

design Consuline 2015

Type: Wall


Light source: LED 26W<sup>(\*)</sup> 3000K EEL: A

Product use: Indoor

Materials: Ring in extruded anodized aluminium, methacrylate lens, wall structure in stainless steel

Colors: aged white / aged white  
aged white / tanned skin  
ultramat black / aged white

Description: An ultraflat luminous disk, adjustable by 360° in space in infinite positions. Fly-too is an LED wall lamp that generates perfect bi-directional floodlighting. The methacrylate lens, featuring a lenticular system with recovery of marginal light flow.

Insulation class: 

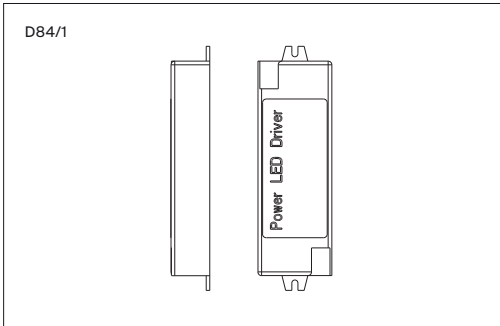
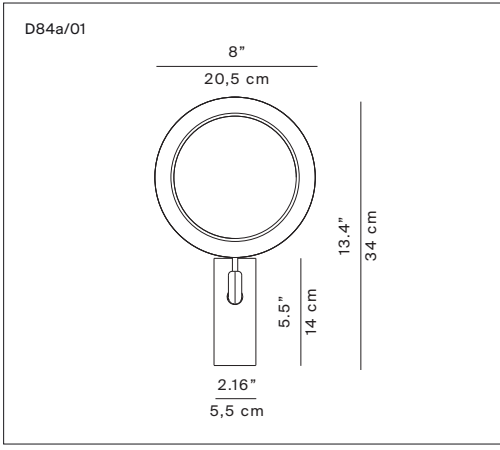
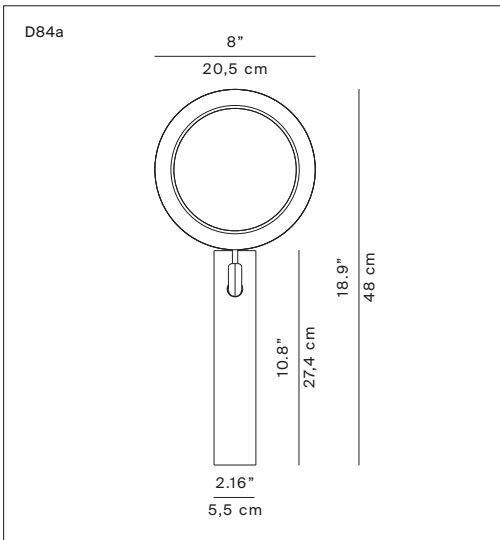
Reference code: **D84a**

1D840A000001	ultramat black / aged white
1D840A000002	aged white / aged white
1D840A000038	aged white / tanned skin

**D84a/01**

1D840A010001	ultramat black / aged white
1D840A010002	aged white / aged white
1D840A010038	aged white / tanned skin

Accessory: **D84/1** independent remote driver  
1D840/100000



<sup>(\*)</sup>The LED lamps cannot be changed in the luminaire  
Power consumption by device

