


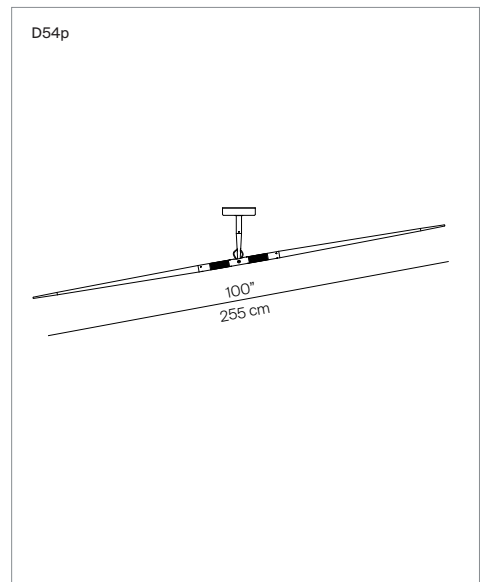
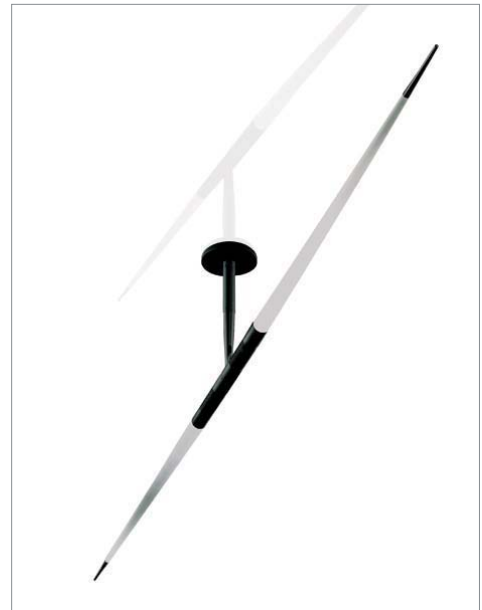


# JAVELOT MACRO

design Odile Decq, 2010

**LUCE  
PLAN**

Type:	Ceiling	
Light source:	2 x LED 8W <sup>(1)</sup> 3000K	EEL: A
Product use:	Indoor	
Materials:	Aluminium body painted black, cone satined methacrylate diffuser	
Colors:	Structure in black	
Description:	The outcome of innovative research carried out by the architectural firm ODBC (Odile Decq-Benoît Cornette), this evocative lighting fixture dedicated to the extension project of MACRO - Rome's Museum of Contemporary Art - has an aluminium body with conical satin-finished methacrylate tips that shed suggestive light from LED sources.	
Insulation class:	  	
Reference code:	D54p 1D540S000001 black	



<sup>(1)</sup> The LED lamps cannot be changed in the luminaire

