

SKY

design Alfredo Häberli, 2007

**LUCE
PLAN**

Type: Floor

Light source: D63t1.fluo 26W FSM GX24 q-3 EEL: A
 D63t1. L 2 x LED 5W E14 EEL: A
 D63t1.sol LED 5W ⁽¹⁾ 20 lm

Product use: Outdoor

Materials: body and cover in die cast aluminium, polycarbonate diffuser

Colors: Structure in white, alu, chestnut

Description: Designed for energy saving lamps, Sky is available in LED versions with photovoltaic cells and rechargeable batteries, wire-free, or with high-efficiency LED with electronic power supply. Models for electronic fluorescent sources complete the range.

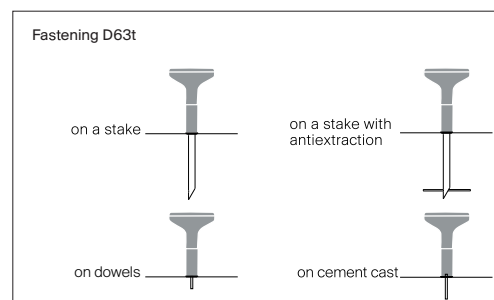
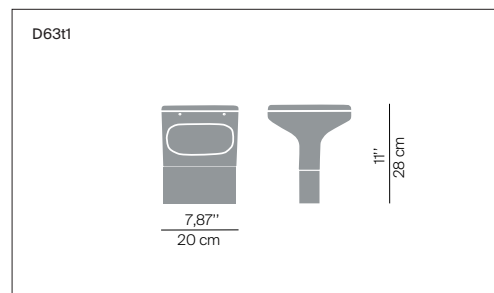
Certifications: **IP65**

Insulation class:  D63t1.L

Awards: Lights of the future(L+B/Frankfurt) 2008, prize
 Red dot Design Award 2008, honorable mention
 Wallpaper Award 2009, best outdoor light
 XXII Compasso d'Oro ADI 2011, selection

Reference code:	Structure		
	D63t1. fluo	1D630T1FL020	alu
		1D630T1FL002	white
		1D630T1FL013	chestnut
	D63t1. L	1D630T1LE020	alu
		1D630T1LE002	white
		1D630T1LE013	chestnut
	D63t1. sol	1D630T1LS020	alu
		1D630T1LS002	white
		1D630T1LS013	chestnut

*The LED lamps cannot be changed in the luminaire



SKY

design Alfredo Häberli, 2007

**LUCE
PLAN**

Type: Floor

Light source: D63t1.fluo 26W FSM GX24 q-3 EEL: A
 D63t1. L 2 x LED 5W E14 EEL: A
 D63t1.sol LED 5W ⁽¹⁾ 20 lm

Product use: Outdoor

Materials: body and cover in die cast aluminium, polycarbonate diffuser

Colors: Structure in white, alu, chestnut

Description: Designed for energy saving lamps, Sky is available in LED versions with photovoltaic cells and rechargeable batteries, wire-free, or with high-efficiency LED with electronic power supply. Models for electronic fluorescent sources complete the range.

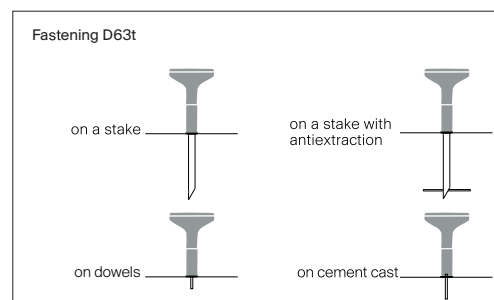
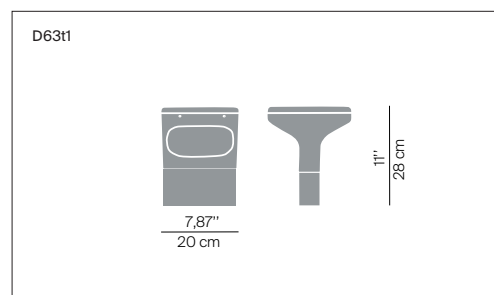
Certifications: **IP65**

Insulation class:  D63t1.L

Awards: Lights of the future(L+B/Frankfurt) 2008, prize
 Red dot Design Award 2008, honorable mention
 Wallpaper Award 2009, best outdoor light
 XXII Compasso d'Oro ADI 2011, selection

Reference code:	Structure		
	D63t1. fluo	1D630T1FL020	alu
		1D630T1FL002	white
		1D630T1FL013	chestnut
	D63t1. L	1D630T1LE020	alu
		1D630T1LE002	white
		1D630T1LE013	chestnut
	D63t1. sol	1D630T1LS020	alu
		1D630T1LS002	white
		1D630T1LS013	chestnut

*The LED lamps cannot be changed in the luminaire



SKY

design Alfredo Häberli, 2007



Type: Floor

Light source: D63t2.fluo 26W FSM GX24 q-3 EEL: A
 D63t2. L 2 x LED 5W E14 EEL: A
 D63t2.sol LED 5W 20 lm

Product use: Outdoor

Materials: body and cover in die cast aluminium, polycarbonate diffuser

Colors: Structure in white, alu, chestnut

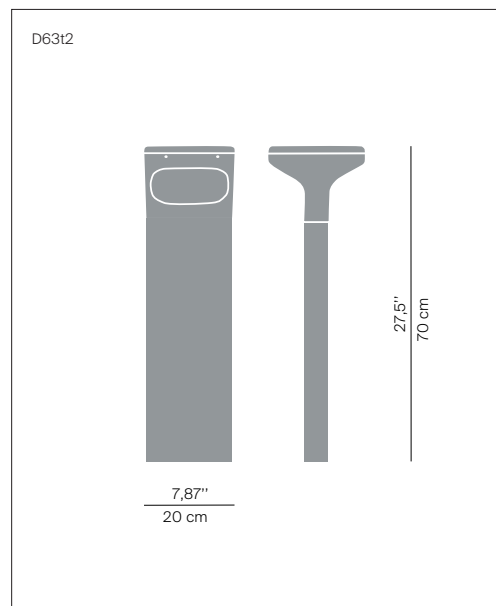
Description: Designed for energy saving lamps, Sky is available in LED versions with photovoltaic cells and rechargeable batteries, wire-free, or with high-efficiency LED with electronic power supply. Models for electronic fluorescent sources complete the range.

Certifications: **IP65**

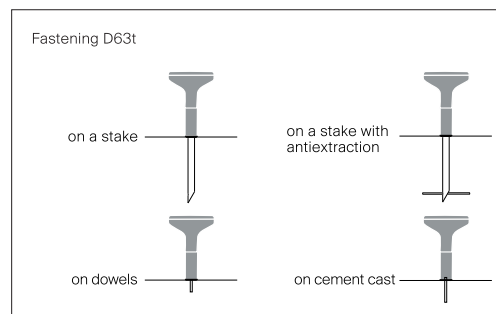
Insulation class: D63t2.L

Awards: Lights of the future(L+B/Frankfurt) 2008, prize
 Red dot Design Award 2008, honorable mention
 Wallpaper Award 2009, best outdoor light
 XXII Compasso d'Oro ADI 2011, selection

Reference code:	Structure		
	D63t2. fluo	1D630T2FL020	alu
		1D630T2FL002	white
		1D630T2FL013	chestnut
	D63t2. L	1D630T2LE020	alu
		1D630T2LE002	white
		1D630T2LE013	chestnut
	D63t2.sol	1D630T2LS020	alu
		1D630T2LS002	white
		1D630T2LS013	chestnut



*The LED lamps cannot be changed in the luminaire



SKY

design Alfredo Häberli, 2007



Type: Floor

Light source: D63t2.fluo 26W FSM GX24 q-3 EEL: A
 D63t2. L 2 x LED 5W E14 EEL: A
 D63t2.sol LED 5W 20 lm

Product use: Outdoor

Materials: body and cover in die cast aluminium, polycarbonate diffuser

Colors: Structure in white, alu, chestnut

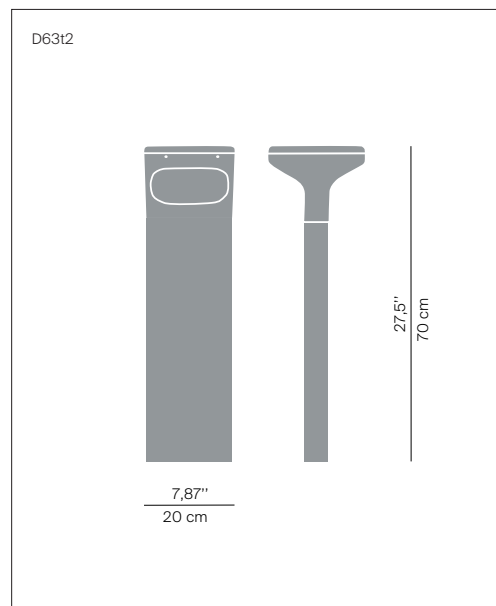
Description: Designed for energy saving lamps, Sky is available in LED versions with photovoltaic cells and rechargeable batteries, wire-free, or with high-efficiency LED with electronic power supply. Models for electronic fluorescent sources complete the range.

Certifications: **IP65**

Insulation class: D63t2.L

Awards: Lights of the future(L+B/Frankfurt) 2008, prize
 Red dot Design Award 2008, honorable mention
 Wallpaper Award 2009, best outdoor light
 XXII Compasso d'Oro ADI 2011, selection

Reference code:	Structure		
	D63t2. fluo	1D630T2FL020	alu
		1D630T2FL002	white
		1D630T2FL013	chestnut
	D63t2. L	1D630T2LE020	alu
		1D630T2LE002	white
		1D630T2LE013	chestnut
	D63t2.sol	1D630T2LS020	alu
		1D630T2LS002	white
		1D630T2LS013	chestnut



*The LED lamps cannot be changed in the luminaire

