

NEMO

AM1N

M. Albini, F. Helg, F. Albini and A. Piva

Table lamp with chromed metal structure. Onion-shaped diffuser, in opal white glass. Flood beam distribution, dimmer on the cable.



NEMO

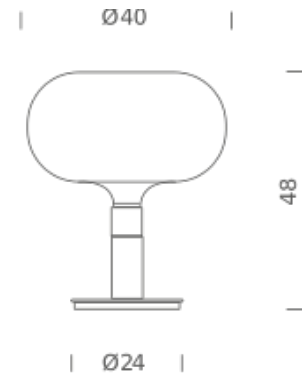
AM1N

M. Albini, F. Helg, F. Albini and A. Piva

E27 FLUO/LED/HALO

Lamping

Source	E27 QT-32
Total power	150W
Emission	diffused
Switching	dimnable, according to bulb
Tension	230V
Materials	metal + glass



Codes

ALB EHW 14
white

Structure

chrome

Diffuseur

Package 1

Dimensions	32x32x24
Gross weight	5 Kg

Package 2

Dimensions	52x52x38
Gross weight	6.5 Kg