

# NEMO

## APPLIQUE À VOLET PIVOTANT DOUBLE

Charlotte Perriand

Wall lamps with aluminium adjustable volet and metal body. Body painted in white, volet natural anodized, black anodized or mirror polished stainless steel. For the small versions E14 and LED, volet could be painted in red, yellow or blue. E14 version with integrated switch, cable and plug for a simple and free installation. Indirect output towards the wall and orientable flood beam.



# NEMO

## APPLIQUE À VOLET PIVOTANT DOUBLE

Charlotte Perriand

### E14 HALO/FLUO/LED

#### Lamping

Source	E14 QT-DE
Total power	2x40W
Emission	indirect orientable
Switching	dimnable according to bulb
Tension	230V
Materials	aluminium
Notes	orientable, bulb $\tilde{A}$ max 3cm

#### Codes

AVP EWD 33

#### Structure

white/aluminium

#### Diffuseur

AVP EWN 33

white/black

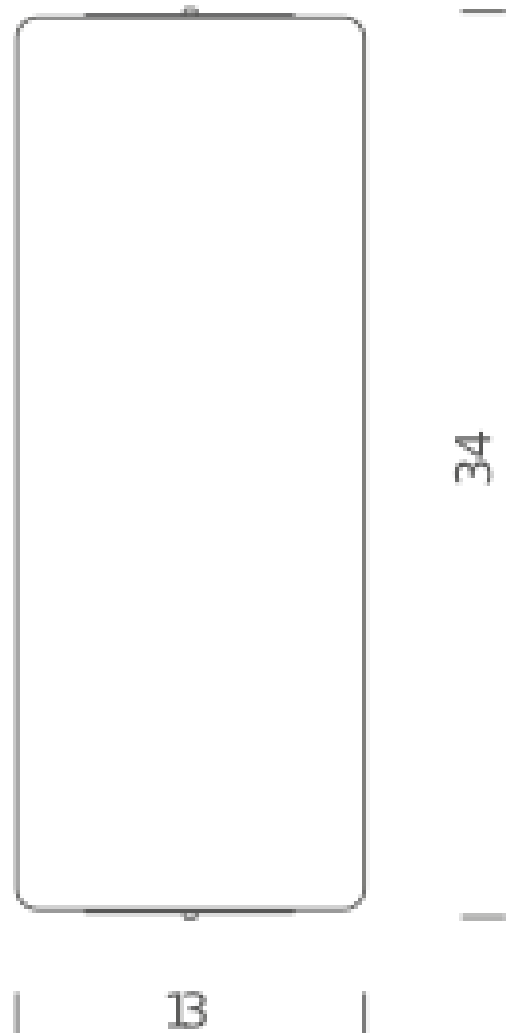
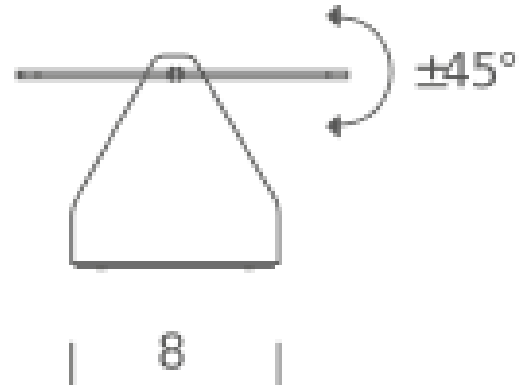
AVP EWH 33

white/inox

#### Package 1

Dimensions 16x37x16

Gross weight 1.75 Kg



# NEMO

## APPLIQUE À VOLET PIVOTANT DOUBLE

Charlotte Perriand

### LED

#### Lamping

Source	LED board
Total power	20W
Emission	indirect orientable
Tension	110/230V
Color temperature	3000K
Luminous flux	2000lm
Typ cri	83
Energy class	A+
Materials	aluminium
Notes	orientable

#### Codes

AVP LWD 33

#### Structure

white/aluminium

#### Diffuseur

AVP LWN 33

white/black

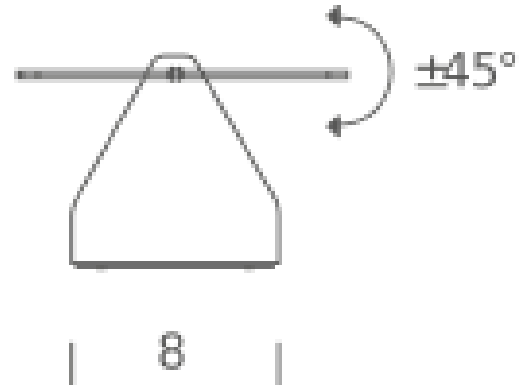
AVP LWH 33

white/inox

#### Package 1

Dimensions 16x37x16

Gross weight 1.75 Kg



# NEMO

## APPLIQUE À VOLET PIVOTANT DOUBLE

Charlotte Perriand

### R7S HALO

#### Lamping

Source	R7s (75mm)
Total power	2x80W
Emission	indirect orientable
Switching	dimnable
Tension	230V
Materials	aluminium
Notes	orientable

#### Codes

AVP HWD 33

#### Structure

white/aluminium

#### Diffuseur

AVP HWN 33

white/black

AVP HWH 33

white/inox

#### Package 1

Dimensions 16x37x16

Gross weight 1.75 Kg

