

# NEMO

## BRIDGE FLUO

Mario Barbaglia and Marco Colombo

Lamp with indirect light output for a general homogeneous lighting, high visual comfort and low consumption.  
Polycarbonate diffuser.



# NEMO

## BRIDGE FLUO

Mario Barbaglia and Marco Colombo

### 107 FLUO

#### Lamping

Source	G5 T16 (FH-HO)
Total power	2x39W
Emission	diffused
Tension	230V
Ip class	40
Materials	polycarbonate

#### Codes

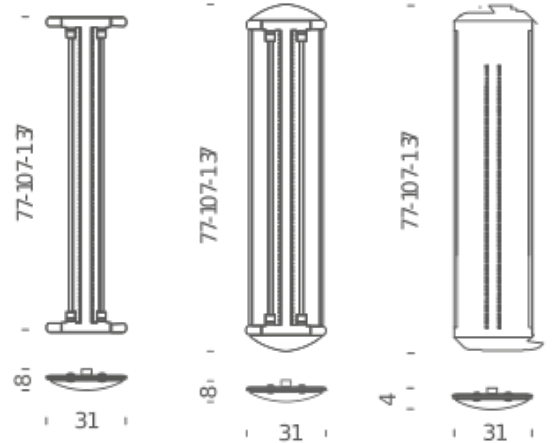
BRI FW3 41  
white  
BRI MF3 41  
white

#### Structure

diffuser + module (white+grey)

#### Diffuseur

grey



# NEMO

## BRIDGE FLUO

Mario Barbaglia and Marco Colombo

### 137 FLUO

#### Lamping

Source	G5 T16 (FH-HO)
Total power	2x54W
Emission	diffused
Tension	230V
Ip class	40
Materials	polycarbonate

#### Codes

BRI FW5 41  
white  
BRI FH5 41  
white  
BRI MF5 41  
white

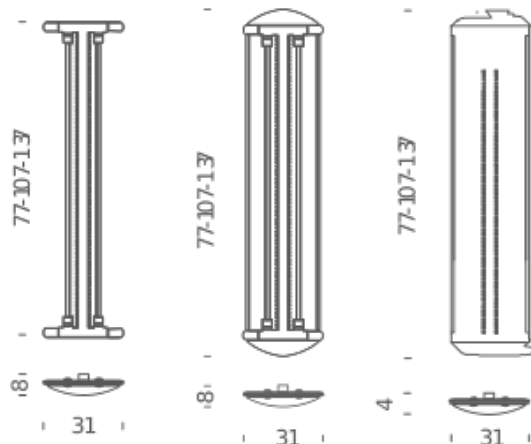
#### Structure

diffuser + module (white+grey)

#### Diffuseur

chrome/white

grey



# NEMO

## BRIDGE FLUO

Mario Barbaglia and Marco Colombo

### 77 FLUO

#### Lamping

Source	G5 T16 (FH-HO)
Total power	2x 24W
Emission	diffused
Tension	230V
Ip class	40
Materials	polycarbonate

#### Codes

BRI FW2 41  
white  
BRI MF2 41  
white

#### Structure

diffuser + module (white+grey)

#### Diffuseur

grey

