

NEMO

Canna Nuda wall-ceiling

PIERO CASTIGLIONI & ROBERTO MENGHI

Pendant or wall/ceiling lighting fixtures realized with a satin nickel metal structure connected with a sanded glass cylinder. Available in different lengths. LED and halogen versions available.



NEMO

Canna Nuda wall-ceiling

PIERO CASTIGLIONI & ROBERTO MENGHI

50 HALO/LED

Lamping

Source	G9
Total power	75W
Emission	diffused
Switching	dimnable, according to bulb
Tension	110/230V
Materials	Metal - Glass
Notes	orientable, LED version with kit G9 LED NEMO

Codes

CAN HSW 41
sanded glass

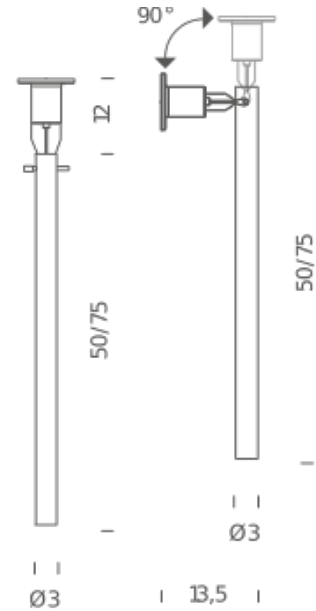
Structure

satin nikel

Diffuseur

Package 1

Dimensions	22x22x80
Gross weight	1.5 Kg



NEMO

Canna Nuda wall-ceiling

PIERO CASTIGLIONI & ROBERTO MENGHI

75 HALO/LED

Lamping

Source	G9
Total power	75W
Emission	diffused
Switching	dimnable, according to bulb
Tension	110/230V
Materials	Metal - Glass
Notes	orientable, LED version with kit G9 LED NEMO

Codes

CAN HSW 42
sanded glass

Structure

satin nikel

Diffuseur

Package 1

Dimensions	20x20x80
Gross weight	1.5 Kg

