

NEMO

DOVE

Mario Barbaglia and Marco Colombo

Table light with medium-flood beam, ideal as a task or as a reading light. Body in polycarbonate, arm supports in molibdenum steel. Painted in matt black. Double intensity switch.



NEMO

DOVE

Mario Barbaglia and Marco Colombo

HALO

Lamping

Source	GY 6,35 QT-12
Total power	50W
Emission	direct, orientable
Switching	double intensity, switch on board, cable lenght 2,2m
Tension	230V
Materials	polycarbonate + steel
Notes	orientable, also available in 120V

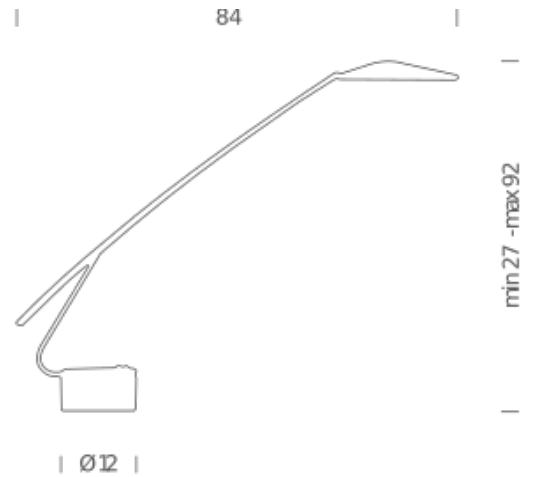
Codes

DOV HNN 11

Structure

black

Diffuseur



Package 1

Dimensions	17x24x80
Gross weight	3.3 Kg

NEMO

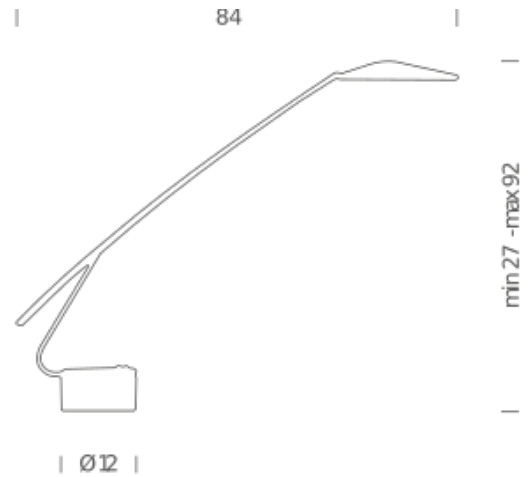
DOVE

Mario Barbaglia and Marco Colombo

LED

Lamping

Source	LED GY 6,35
Total power	3W
Emission	direct, orientable
Switching	double intensity, switch on board, cable lenght 2,2m
Tension	230V
Color temperature	3000K
Luminous flux	300lm
Energy class	A+
Materials	polycarbonate + steel
Notes	orientable, also available in 120V



Codes

DOV LNN 11

Structure

black

Diffuseur

Package 1

Dimensions	17x24x80
Gross weight	3.3 Kg