

# NEMO

## Ellisse floor/wall

Federico Palazzari

LED pendant lamp, available in three versions: major, minor and double, widespread direct or indirect lighting. Extruded aluminium, matt white, matt black painted, polished or glossy gold anodized. Opaline diffuser. Ellisse is manufactured through a proprietary technology to combine the extruded bars (patent pending). Major version available also for wall and floor applications, with a marble base on the floor version and with a wall kit mounting on the wall one.



# NEMO

## Ellisse floor/wall

Federico Palazzari

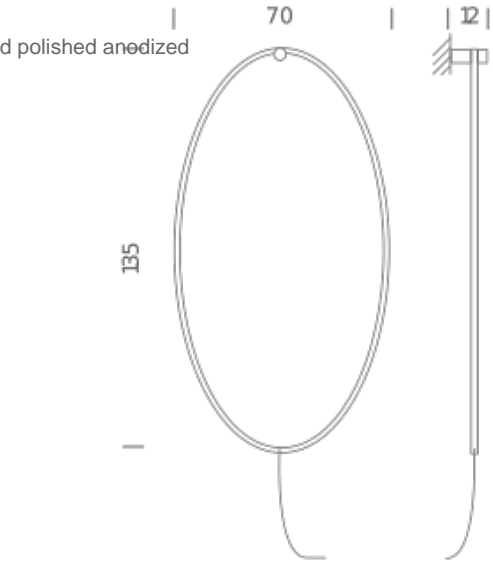
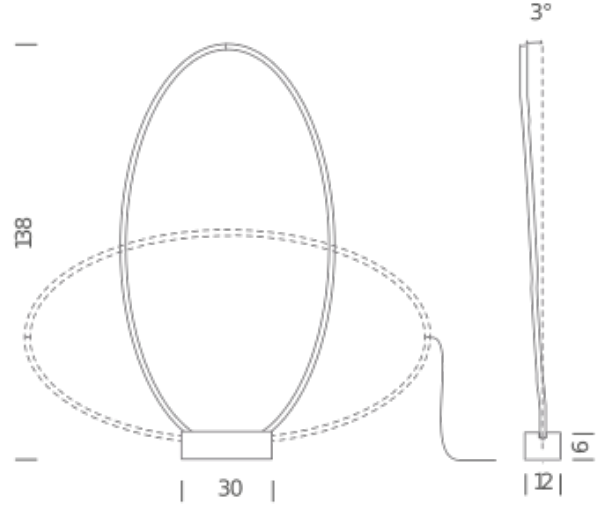
### LED

#### Lamping

Source	linear LED
Total power	78W
Emission	diffused orientable
Switching	dimmable
Tension	110/230V
Color temperature	2700K
Luminous flux	7800lm
Typ cri	80
Energy class	A+
Materials	Aluminium
Notes	orientable, dimmer on cable, base and wall hanger to be ordered separately, cable lenght 5m

#### Accessories

Base, black marquinia marble | Wall hanger, aluminium gold polished anodized



wall hanger base



#### Codes

ELP LNN 21

#### Structure

black

#### Diffuser

ELP LGN 21

gold polished anodized