

NEMO

Ellisse pendant major

Federico Palazzari

LED pendant lamp, available in three versions: major, minor and double, widespread direct or indirect lighting. Extruded aluminium, matt white, matt black painted, polished or glossy gold anodized. Opaline diffuser. Ellisse is manufactured through a proprietary technology to combine the extruded bars (patent pending). Major version available also for wall and floor applications, with a marble base on the floor version and with a wall kit mounting on the wall one.



NEMO

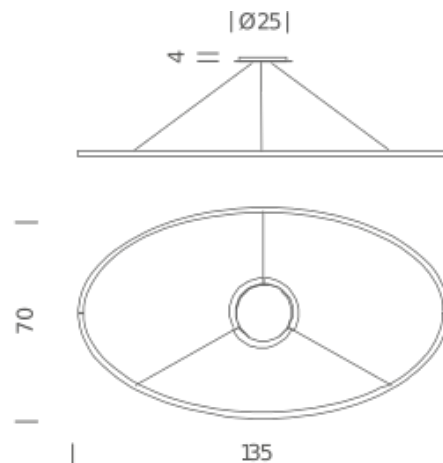
Ellisse pendant major

Federico Palazzari

DOWNLIGHT

Lamping

Source	linear LED
Total power	78W
Emission	diffused orientable
Switching	dimnable 1-10V
Tension	110/230V
Color temperature	3000K (gold version: 2700K)
Luminous flux	7800lm
Typ cri	80
Energy class	A+
Materials	Aluminium
Notes	cable lenght 2,5m



Codes

ELP LWW 54

Structure

white

Diffuseur

ELP LNW 54

black

ELP LGW 54

gold polished anodized

ELP LLW 54

polished aluminium

Net lamp weight

5 Kg

Package 1

Dimensions 80x150x15

Gross weight 7.5 Kg

NEMO

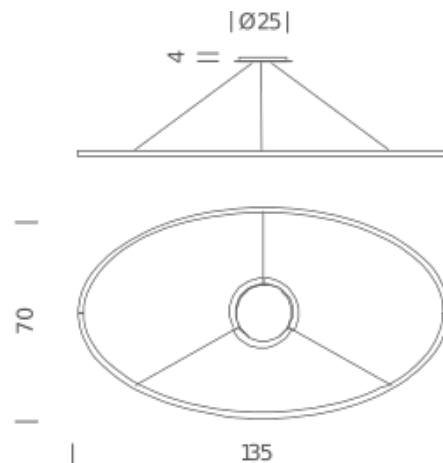
Ellisse pendant major

Federico Palazzari

UPLIGHT

Lamping

Source	linear LED
Total power	78W
Emission	diffused orientable
Switching	dimmable 1-10V
Tension	110/230V
Color temperature	3000K (gold version: 2700K)
Luminous flux	7800lm
Typ cri	80
Energy class	A+
Materials	Aluminium
Notes	cable lenght 2,5m



Codes

ELP LWW 53

Structure

white

Diffuseur

ELP LNW 53

black

ELP LGW 53

gold polished anodized

ELP LLW 53

polished aluminium

Net lamp weight

5 Kg

Package 1

Dimensions

80x150x15

Gross weight

7.5 Kg