

NEMO

Ellisse pendant minor

Federico Palazzari

LED pendant lamp, available in three versions: major, minor and double, widespread direct or indirect lighting. Extruded aluminium, matt white, matt black painted, polished or glossy gold anodized. Opaline diffuser. Ellisse is manufactured through a proprietary technology to combine the extruded bars (patent pending). Major version available also for wall and floor applications, with a marble base on the floor version and with a wall kit mounting on the wall one.



NEMO

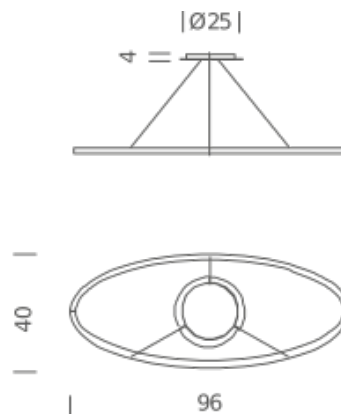
Ellisse pendant minor

Federico Palazzari

UPLIGHT

Lamping

Source	linear LED
Total power	54W
Emission	diffused orientable
Switching	dimmable 1-10V
Tension	110/230V
Color temperature	3000K (gold version: 2700K)
Luminous flux	5400lm
Typ cri	80
Energy class	A+
Materials	Aluminium
Notes	cable lenght 2,5m



Codes

ELP LWW 51

Structure

white

Diffuseur

ELP LNW 51

black

ELP LGW 51

gold polished anodized

ELP LLW 51

polished aluminium

Net lamp weight

5 Kg

Package 1

Dimensions 80x150x15

Gross weight 7.5 Kg

NEMO

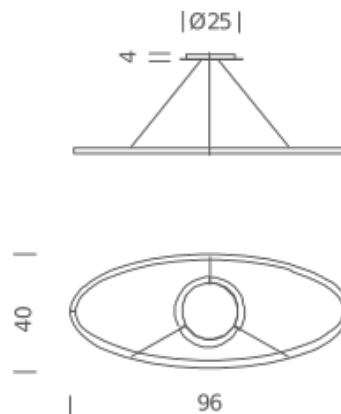
Ellisse pendant minor

Federico Palazzari

DOWNLIGHT

Lamping

Source	linear LED
Total power	54W
Emission	diffused orientable
Switching	dimmable 1-10V
Tension	110/230V
Color temperature	3000K (gold version: 2700K)
Luminous flux	5400lm
Typ cri	80
Energy class	A+
Materials	Aluminium
Notes	cable lenght 2,5m



Codes

ELP LWW 52

Structure

white

Diffuseur

ELP LNW 52

black

ELP LGW 52

gold polished anodized

ELP LLW 52

polished aluminium

Net lamp weight

5 Kg

Package 1

Dimensions 80x150x15

Gross weight 7.5 Kg