

NEMO

ILIUM PENDANT

Foster + Partners

Floor, table and pendant lamps with a diffused and dimmable light output. Fluorescent, halogen and LED sources, according to versions. Body with inner diffuser in opal polymeric (pendant LED version excluded) and outer diffuser in transparent barrel glass. Base of floor and table versions is in polished steel.



NEMO

ILIUM PENDANT

Foster + Partners

50 E27 FLUO/LED/HALO

Lamping

Source	E27 halo par 20 bulb
Total power	50W
Emission	downlight, flood
Switching	dimnable, according to bulb
Tension	230V
Materials	aluminium + glass
Notes	cablenght 3m

Codes

ILI HHC 52
opal white

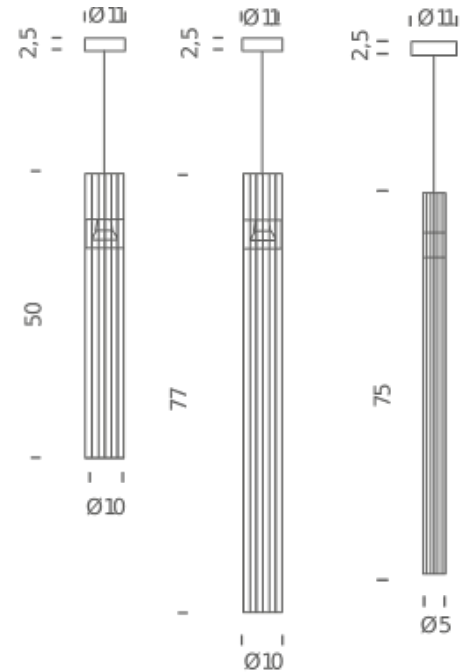
Structure

chrome

Diffuseur

Package 1

Dimensions	22x22x71
Gross weight	3.4 Kg



NEMO

ILIUM PENDANT

Foster + Partners

77 E27 FLUO/LED/HALO

Lamping

Source	E27 halo par 20 bulb
Total power	50W
Emission	downlight, flood
Switching	dimnable, according to bulb
Tension	230V
Materials	aluminium + glass
Notes	cablenght 3m

Codes

ILI HHC 51
opal white

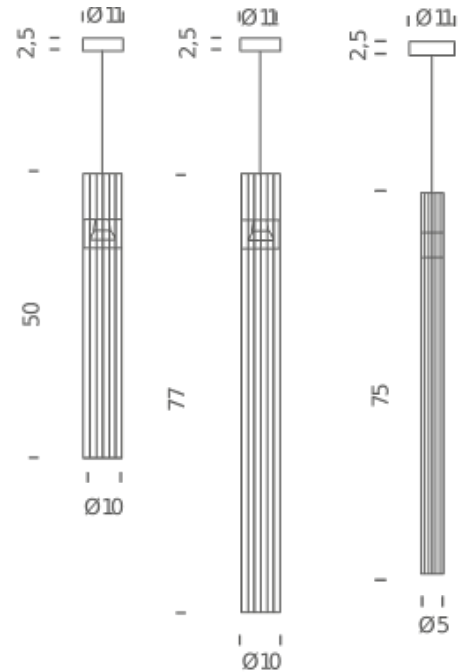
Structure

chrome

Diffuseur

Package 1

Dimensions	22x22x98
Gross weight	4.2 Kg



NEMO

ILIUM PENDANT

Foster + Partners

75 LED

Lamping

Source	LED board
Total power	6W
Emission	downlight
Tension	110/230V
Color temperature	3000K
Luminous flux	980lm
Typ cri	85
Energy class	A+
Materials	aluminium + glass
Notes	cable lenght 3m

Codes

ILI LHC 51
opal white

Structure

chrome

Diffuseur

Package 1

Dimensions	22x22x98
Gross weight	4.2 Kg

