

NEMO

Inc 80

NEMO STUDIO

Trim recessed downlight product realized with the smallest possible depth, 8 cm. Available with single or double bulbs.
Available with QR111 LED or halogen sources or with LED board with methacrylate opal screen for a diffused light.
Epoxy-coated aluminium.



NEMO

Inc 80

NEMO STUDIO

G53 LED/HALO DOUBLE

Lamping

Source	G53 QR111
Total power	2x25W LED/ 2x50W HALO
Emission	diffused downlight
Switching	dimmable TRIAC, according to bulb
Tension	230V
Materials	Aluminium
Notes	30° bulb orientability, recessed hole 25Å—14Å—H min 12 cm

Codes

I8D LWW 63

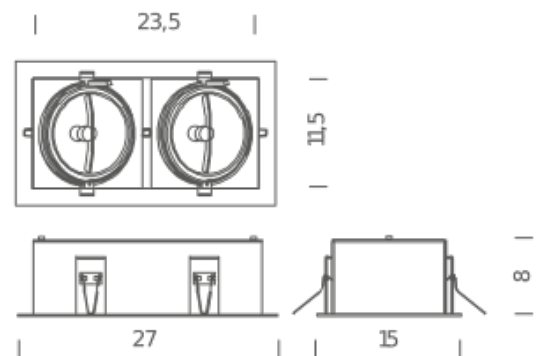
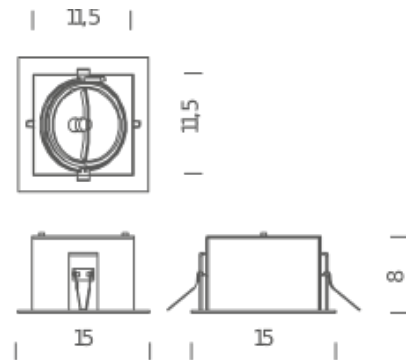
Structure

white

Diffuseur

Package 1

Dimensions	15x31x13
Gross weight	1 Kg



G53 LED/HALO

Lamping

Source	G53 QR111
Total power	30W LED/60W HALO
Emission	diffused downlight
Switching	dimmable TRIAC, according to bulb
Tension	230V
Materials	Aluminium
Notes	30° bulb orientability, recessed hole 14mm—14mm—H min 12 cm

Codes

I8S LWW 63

Structure

white

Diffuseur

Package 1

Dimensions	16x18x15
Gross weight	0.7 Kg

