

# NEMO

## K-Hole 1

Gabi Peretto

K-Hole System is aimed at satisfying the needs of lighting design planning particularly for retail spaces. The family is composed of two typologies: semi-recessed and ceiling/ wall with QR111 LED or halogen sources. The semi-recessed version can be installed in all plasterboard ceiling. In the wall/ceiling version, the power supply is integrated. Products realized in matt white powder coated aluminium, with chromed supporting elements.



# NEMO

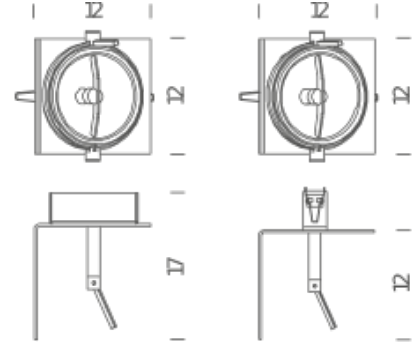
## K-Hole 1

Gabi Peretto

### HALO

#### Lamping

Source	G53 QR111
Total power	60W
Emission	orientable
Switching	dimmable TRIAC
Tension	230V
Materials	Aluminium
Notes	90° orientable bulb, drivers and trafos included, recessed hole $\sim$ 8cm, Hmin 5cm



#### Codes

KH1 HWW 41

#### Structure

white

#### Diffuseur

#### Package 1

Dimensions	15x18x16
Gross weight	2 Kg

# NEMO

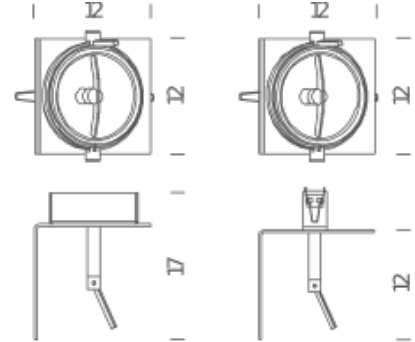
## K-Hole 1

Gabi Peretto

### LED/ HALO RECESSED

#### Lamping

<b>Source</b>	G53 QR111
<b>Total power</b>	30W LED/60W HALO
<b>Emission</b>	orientable
<b>Switching</b>	dimnable TRIAC, according to bulb
<b>Tension</b>	230V
<b>Materials</b>	Aluminium
<b>Notes</b>	91° orientable bulb, drivers and trafos included, recessed hole $\sim$ 8cm, Hmin 5cm



#### Codes

KH1 LWW 71

#### Structure

white

#### Diffuseur

#### Package 1

<b>Dimensions</b>	16x18x15
<b>Gross weight</b>	1.5 Kg

# NEMO

## K-Hole 1

Gabi Peretto

### LED

---

#### Lamping

Source	G53 QR111
Total power	30W
Emission	orientable
Tension	230V
Materials	Aluminium
Notes	92° orientable bulb, drivers and trafo included, recessed hole $\bar{\text{A}}\sim 8\text{cm}$ , Hmin 5cm

---

#### Codes

KH1 LWW 41

#### Structure

white

#### Diffuseur

#### Package 1

Dimensions	15x18x16
Gross weight	2 Kg

