

# NEMO

## K-Hole 2

Gabi Peretto

K-Hole System is aimed at satisfying the needs of lighting design planning particularly for retail spaces. The family is composed of two typologies: semi-recessed and ceiling/wall with QR111 LED or halogen sources. The semi-recessed version can be installed in all plasterboard ceiling. In the wall/ceiling version, the power supply is integrated. Products realized in matt white powder coated aluminium, with chromed supporting elements.



# NEMO

## K-Hole 2

Gabi Peretto

### LED/ HALO

#### Lamping

<b>Source</b>	G53 QR111
<b>Total power</b>	2x25W LED/ 2x50 HALO
<b>Emission</b>	orientable
<b>Switching</b>	dimnable TRIAC, according to bulb
<b>Tension</b>	230V
<b>Materials</b>	Aluminium
<b>Notes</b>	90° orientable bulbs, drivers and trafos included, recessed holes (holes distance 24cm) Å8cm, Hmin 5cm

#### Codes

KH2 LWW 41

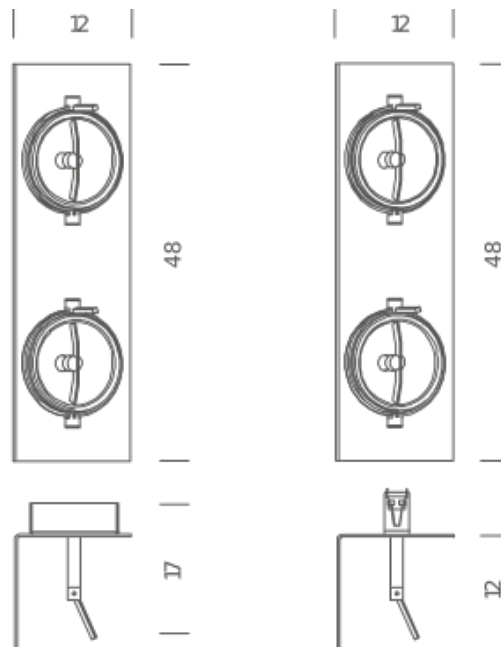
#### Structure

white

#### Diffuseur

#### Package 1

<b>Dimensions</b>	18x52x18
<b>Gross weight</b>	3 Kg



# NEMO

## K-Hole 2

Gabi Peretto

### LED/HALO RECESSED

#### Lamping

Source	G53 QR111
Total power	2x25W LED/ 2x50 HALO
Emission	orientable
Switching	dimnable TRIAC, according to bulb
Tension	230V
Materials	Aluminium
Notes	91° orientable bulbs, drivers and trafos included, recessed holes (holes distance 24cm) Å8cm, Hmin 5cm

#### Codes

KH2 LWW 71

#### Structure

white

#### Diffuseur

#### Package 1

Dimensions	24x28x61
Gross weight	2.7 Kg

