

NEMO

OLYMPIA APPLIQUE

Doriana e Massimiliano Fuksas

Wall adjustable lamps with moulded diffuser in sandblasted polycarbonate matt white, for widespread warm lighting.
Stem in black painted aluminium, ABS wall stem.



NEMO

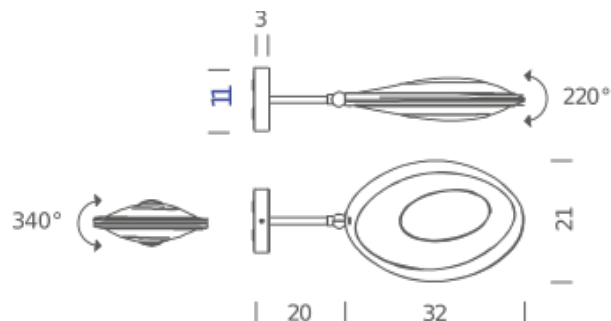
OLYMPIA APPLIQUE

Doriana e Massimiliano Fuksas

LED

Lamping

Source	LED
Total power	20W
Emission	diffused, 360°
Switching	dimnable TRIAC
Tension	110/230V
Color temperature	2700K
Luminous flux	3200lm
Energy class	A+
Materials	metal + PC + ABS
Notes	orientable reflector



Codes

OLY LNN 32
satin

Structure

black

Diffuser