

NEMO

PROJECTEUR 365 PENDANT

Le Corbusier

The Projecteur of Le Corbusier was designed for the Chandigarh High Court, India, in 1954. Aluminium body painted in night blue, white sand or moka. Diffuser glass curved and sandblasted in the inner part. Painted body, base and canopies. Screws and small metal parts black chromed. Available in the floor, wall/ceiling and pendant versions. The wall/ceiling and pendant lamps are available also in the outdoor version (IP54).



NEMO

PROJECTEUR 365 PENDANT

Le Corbusier

E27 FLUO/LED/HALO IP30

Lamping

Source	E27 bulb
Total power	150W
Emission	direct, spot
Switching	dimnable, according to bulb
Tension	230V
Ip class	30
Materials	aluminium
Notes	cable lenght 3m

Codes

PRJ EDW 51
sanded
PRJ EWS 51
sanded
PRJ EMS 51
sanded

Structure

night blue

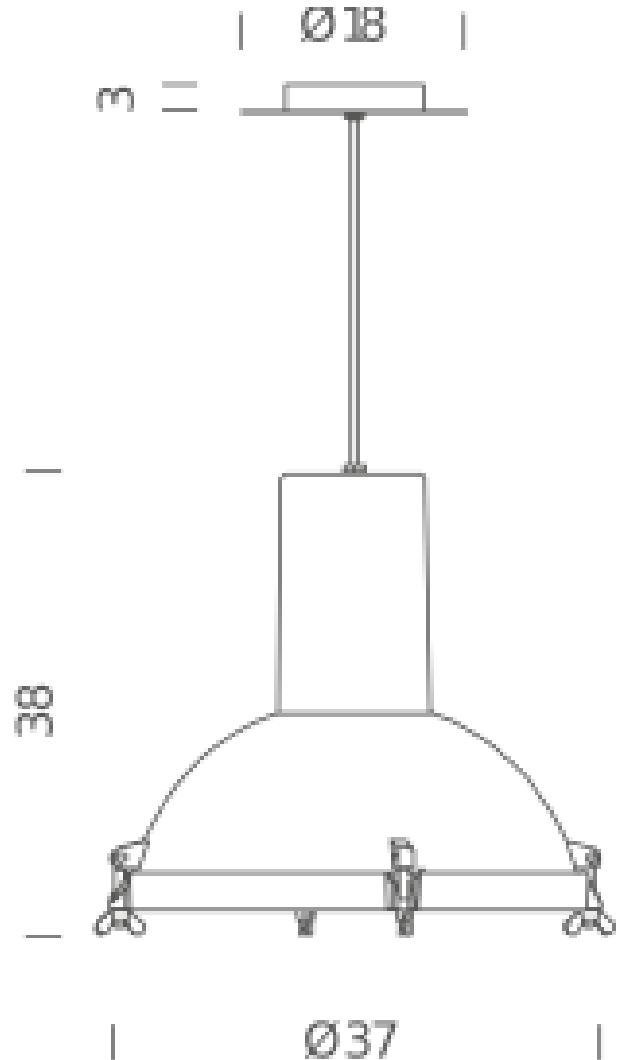
white sand

moka

Diffuseur

Package 1

Dimensions 50x50x50
Gross weight 5 Kg



NEMO

PROJECTEUR 365 PENDANT

Le Corbusier

E27 FLUO/LED/HALO IP54

Lamping

Source	E27 bulb
Total power	60W
Emission	direct, spot
Switching	dimnable, according to bulb
Tension	230V
Ip class	54
Materials	aluminium
Notes	cable lenght 3m

Codes

PRJ EDW 5E
sanded

Structure

night blue

Diffuseur

PRJ EWS 5E
sanded

white sand

PRJ EMS 5E
sanded

moka

Package 1

Dimensions 50x50x50

Gross weight 5 Kg

