

# NEMO

## SPIGOLO PENDANT HORIZONTAL

Studiocharlie

Floor, wall/ceiling and pendant lamps based on an extruded and tubular aluminium structure, connected with moulded ABS joints, with white or black painted finish. Thanks to the joints, enabling the profiles to house LED sources, one can rotate 360°; in order to produce a directional direct or indirect lighting, screened by an opaline diffuser in polycarbonate. The floor version is designed as such to provide a virtual divider to ambiances, while the ceiling and wall versions allow the enlightenment of the ambience in a versatile and a comfortable way. LED sources are dimmable and with warm tone.



# NEMO

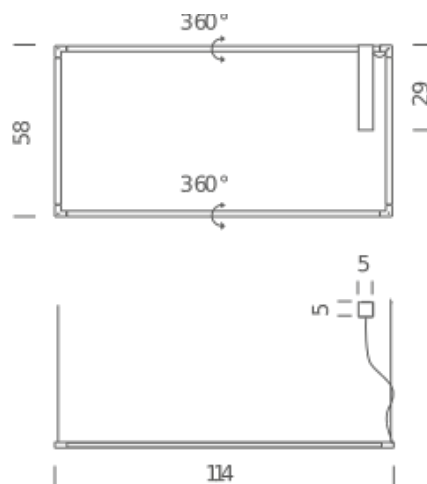
## SPIGOLO PENDANT HORIZONTAL

Studiocharlie

### LED

#### Lamping

Source	2xlinear LED
Total power	24+24W
Emission	double, diffused
Switching	mono switch, dimmable 1-10V
Tension	110/240V
Color temperature	3000K
Luminous flux	2400+2400lm
Typ cri	83
Energy class	A+
Materials	aluminium + PC + ABS
Notes	metal cable lenght 3m, electrical cable lenght 5m, orientable diffusers 360°



#### Codes

SPI LWW 52

#### Structure

white

#### Diffuseur

SPI LNN 52

black

Net lamp weight

2,8 Kg

#### Package 1

Dimensions	18x22x66
Gross weight	3 Kg

#### Package 2

Dimensions	17x18x118
Gross weight	1.8 Kg