

NEMO

SPIGOLO TABLE

Studiocharlie

Floor, wall/ceiling and pendant lamps based on an extruded and tubular aluminium structure, connected with moulded ABS joints, with white or black painted finish. Thanks to the joints, enabling the profiles to house LED sources, one can rotate 360°; in order to produce a directional direct or indirect lighting, screened by an opaline diffuser in polycarbonate. The floor version is designed as such to provide a virtual divider to ambiances, while the ceiling and wall versions allow the enlightenment of the ambience in a versatile and a comfortable way. LED sources are dimmable and with warm tone.



NEMO

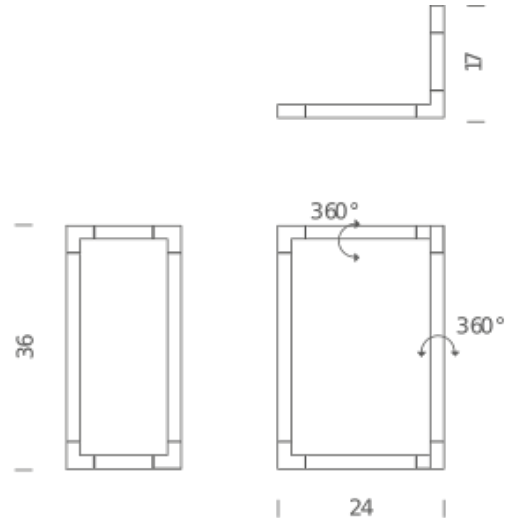
SPIGOLO TABLE

Studiocharlie

LED

Lamping

Source	linear LED
Total power	7,2W
Emission	diffused, 360°
Tension	110/240V
Color temperature	2700K
Luminous flux	720lm
Typ cri	80
Energy class	A+
Materials	aluminium + PC + ABS
Notes	cable lenght 3m, orientable 360°, switch on cable



Codes

SPI LWW 11

Structure

white

Diffuseur

SPI LNN 11

black