

# NEMO

## Tubes 2 wall

Charles Kalpakian

Family of pendant, wall and ceiling lamps, with elements in extruded aluminium. Opal polycarbonate diffusers, for a warm and ambient lighting. Adjustable elements in the wall versions. Available also with dimmer push on the body of the lamp for the Wall 2 version. Ceiling version with a 340° rotation for the ceiling fixed element while the other element is adjustable by 90°.



# NEMO

## Tubes 2 wall

Charles Kalpakian

### WALL 2

#### Lamping

Source	LED board
Total power	2x5W
Emission	double, orientable, spot
Switching	dimnable TRIAC
Tension	230V
Color temperature	2700K
Luminous flux	2 x 500lm
Typ cri	80
Materials	aluminium
Notes	orientable on three axes, also available in 120V

#### Codes

TTB LWC 32

#### Structure

white / copper

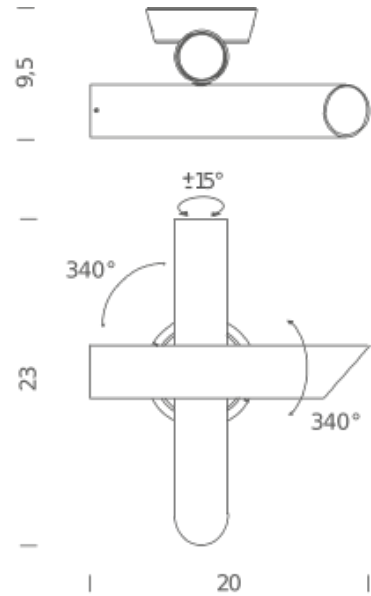
#### Diffuseur

TTB LWW 32

white/white

TTB LWL 32

beige/champagne



# NEMO

## Tubes 2 wall

Charles Kalpakian

### WALL 2 push on board

#### Lamping

<b>Source</b>	LED board
<b>Total power</b>	2x5W
<b>Emission</b>	double, orientable, spot
<b>Switching</b>	push on board
<b>Tension</b>	230V
<b>Color temperature</b>	2700K
<b>Luminous flux</b>	2 x 500lm
<b>Typ cri</b>	80
<b>Materials</b>	aluminium
<b>Notes</b>	orientable on three axes, also available in 120V

#### Codes

TTB LWC 33

#### Structure

white / copper

#### Diffuseur

TTB LWW 33

white/white

TTB LWL 33

beige/champagne

