

# NEMO

## Tubes Large ceiling

Charles Kalpakian

Family of pendant, wall and ceiling lamps, with elements in extruded aluminium. Opal polycarbonate diffusers, for a warm and ambient lighting. Adjustable elements in the wall versions. Available also with dimmer push on the body of the lamp for the Wall 2 version. Ceiling version with a 340° rotation for the ceiling fixed element while the other element is adjustable by 90°.



# NEMO

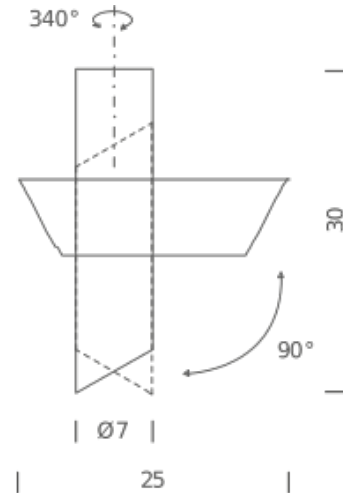
## Tubes Large ceiling

Charles Kalpakian

### LED

#### Lamping

Source	LED board
Total power	2x13W
Emission	double, orientable, spot
Switching	dimnable TRIAC
Tension	220V
Color temperature	2700K
Luminous flux	2 x 1200lm
Typ cri	80
Materials	aluminium
Notes	90° / 340° elements orientability



#### Codes

TTU LWD 41

#### Structure

white / grey

#### Diffuseur

TTU LWG 41

white/light gold

TTU LWW 41

white/white