



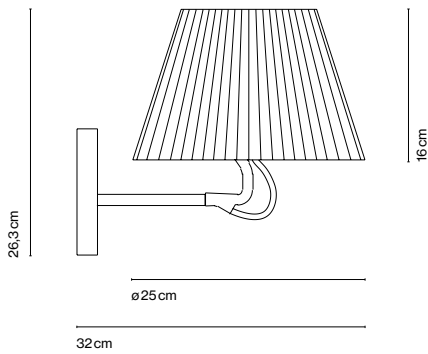
# **Nolita Cotton**

## **Joan Gaspar**

**marset**



**Nolita Cotton A**



**Nolita Cotton A**

- 💡 E14 HSGSP/C/UB 46W
- 🔊 E14 LED 5W

Conic diffuser with a double shade made of polycarbonate on the inside part and raw cotton ribbons on the outside. Aluminium structure.

**Structure**

- Aluminium

**Shade**

- Cotton ribbons natural



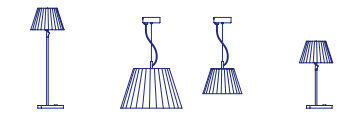
[Download](#) Assembly Instructions

[Download](#) 2D

[Download](#) 3D

[Download](#) Energy label

**Range**



info@marset.com  
www.marset.com

Nolita Cotton has a double-screen diffuser made of polycarbonate on the inside and natural cotton ribbons at the outside which creates a cosy lighting atmosphere.