

Description

Sobriety and elegance to live every day. The care for details and the neat lines characterise “Edo”, which, in only one move transforms itself from normal dining table into a large one for family meetings, reaching the length of over 3 meters.

Technical Details

Rectangular extensible table with aluminum guides and middle legs come out when needed.

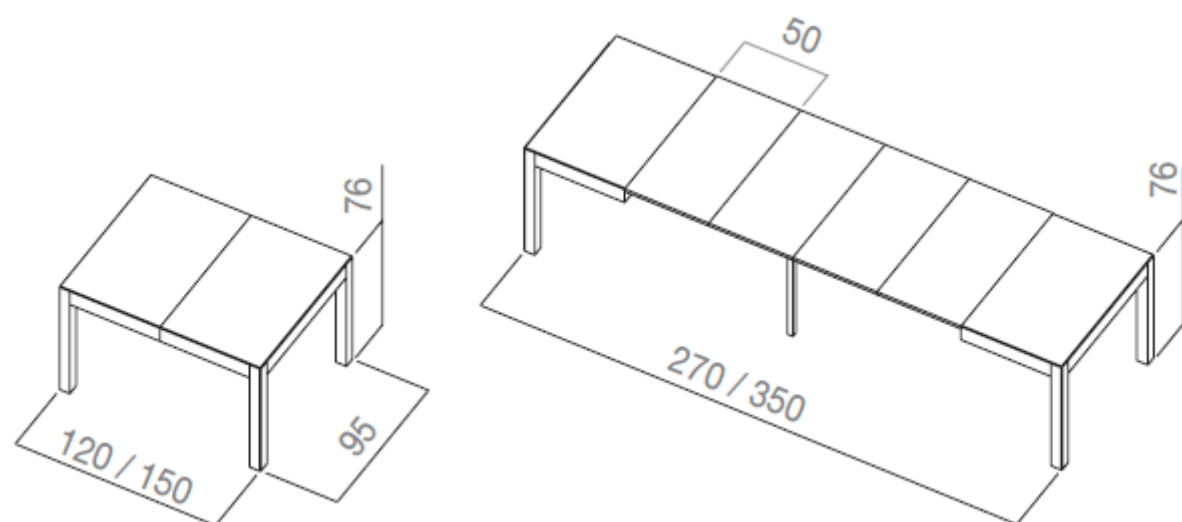
Dimensions (LxPxH)

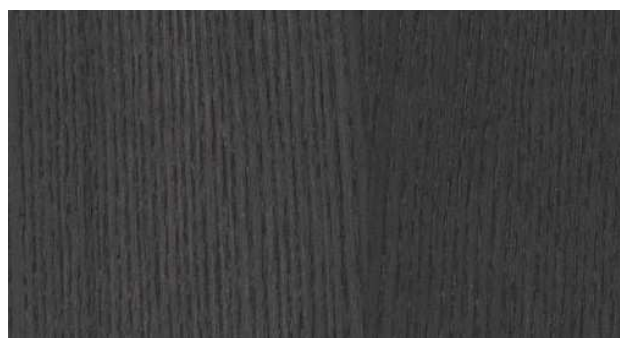
- Closed 120x95x76 cm
- Open 270x95x76 cm
- n° 03 internal leaves 50 cm each

- Closed 150x95x76 cm
- Open 350x95x76 cm
- n° 04 internal leaves 50 cm each

Finishings

Cod 01; Cod 03; Cod 04; Cod 05; Cod 06; Cod 07; Cod 08; Cod 09; Cod 13; Cod 14; Cod 15





Cod. 01 - Frassino o Rovere
Cod. 01 - Ash or Oak



Cod. 05 - Frassino o Rovere
Cod. 05 - Ash or Oak



Cod. 09 - Bianco
Cod. 09 - White



Cod. 02 - Frassino sbiancato
Cod. 02 - Light Ash



Cod. 06 - Rovere sbiancato
Cod. 06 - Light Oak



Cod. 10 - Ciliegio
Cod. 10 - Cherry



Cod. 13 - Faggio
Cod. 13 - Beech



Cod. 03 - Frassino o Rovere
Cod. 03 - Ash or Oak



Cod. 07 - Rovere naturale
Cod. 07 - Natural Oak



Cod. 11 - Ciliegio
Cod. 11 - Cherry



Cod. 14 - Faggio
Cod. 14 - Beech



Cod. 04 - Frassino o Rovere
Cod. 04 - Ash or Oak



Cod. 08 - Frassino o Rovere
Cod. 08 - Ash or Oak



Cod. 12 - Ciliegio
Cod. 12 - Cherry



Cod. 15 - Faggio
Cod. 15 - Beech

I colori del campionario sono puramente indicativi e sono possibili differenze di tonalità tra una partita di produzione e l'altra. Il legno è un prodotto naturale: baffi, nodi, variazioni di colore e di poro sono le esclusive prove della sua naturale bellezza.

All sample colours are merely indicative and there may be differences in shade between one production lot and the another. Wood is a natural product: Any patches, knots, porous and shade variations are an exclusive proof of its natural beauty.