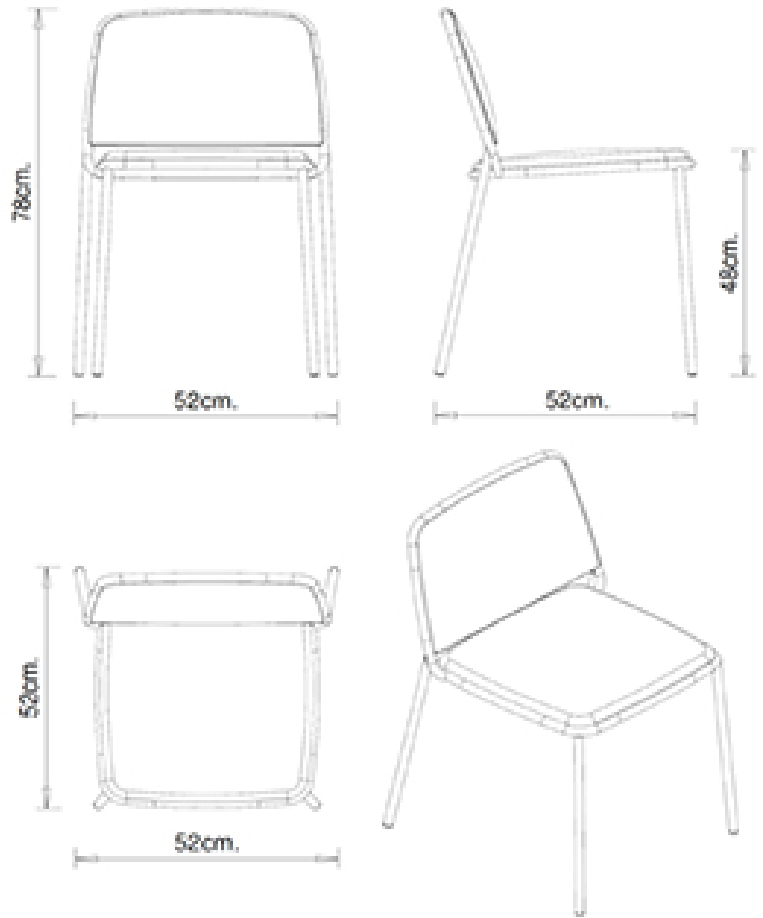


Ring 670

RING COLLECTION:
Ring 670, Ring 671, Ring 672,



4-leg chair with steel frame and shell upholstered in fabric.

STACKABLE

4

WEIGHT

7,1 Kg

PACK

0,39 m³

PIECES PER BOX

4

FINISHES SEATING

TE FABRIC

FRAMES

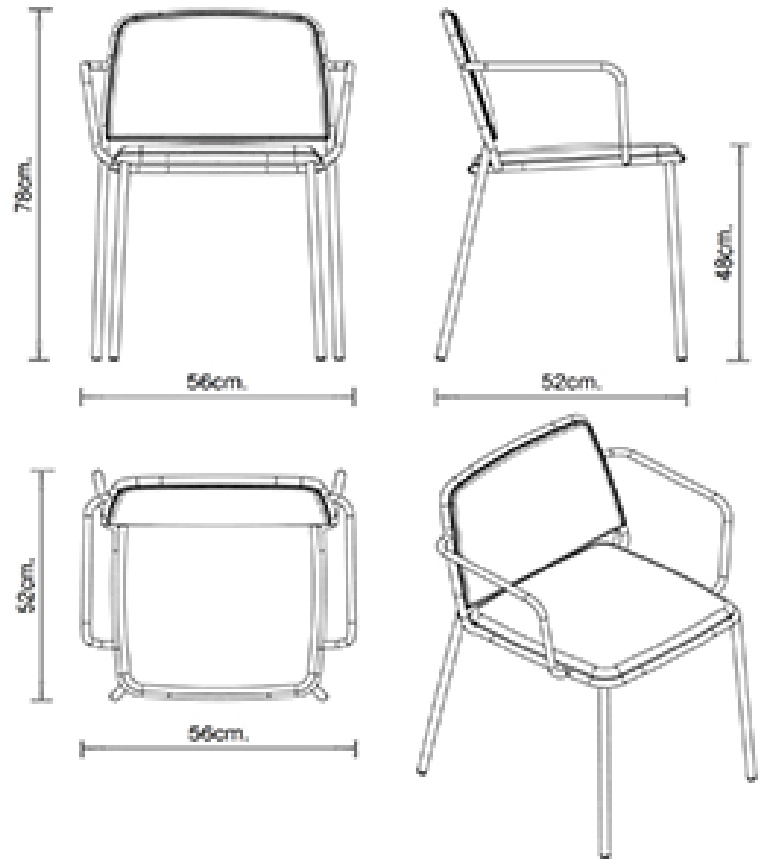
AC STEEL

USES

coffee & restaurants, hotels, retail,

Ring 671

RING COLLECTION:
Ring 670, Ring 671, Ring 672,



4-leg armchair with steel frame and shell upholstered in fabric

STACKABLE

4

WEIGHT

7,5 Kg

PACK

0,39 m³

FINISHES SEATING

TE FABRIC

FRAMES

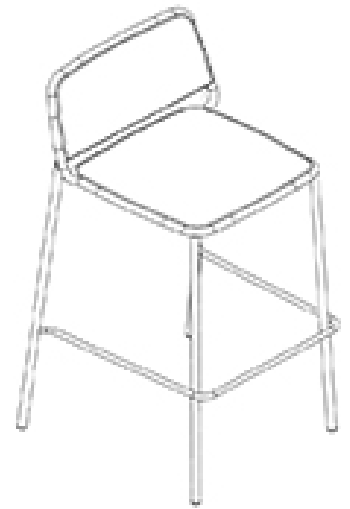
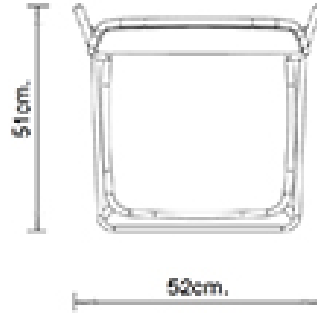
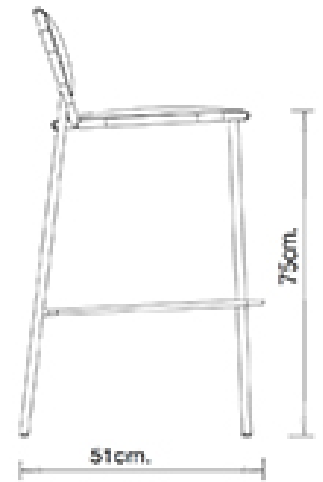
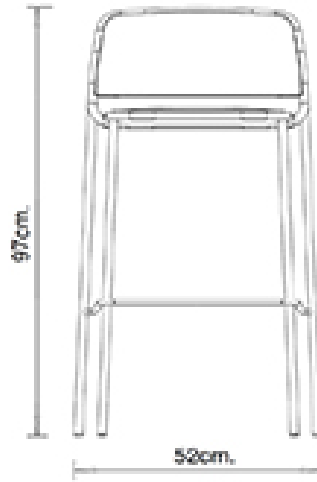
AC STEEL

USES

coffee & restaurants, hotels, retail,

Ring 672

RING COLLECTION:
Ring 670, Ring 671, Ring 672,



4-leg stool with steel frame and upholstered shell in fabric.

STACKABLE

4

WEIGHT

7,4 Kg

PACK

0,37 m³

PIECES PER BOX

2

FINISHES SEATING

TE FABRIC

FRAMES

AC STEEL

USES

coffee & restaurants, hotels, retail,

Ring

Radice Orlandini **Design Studio**

metalmobil