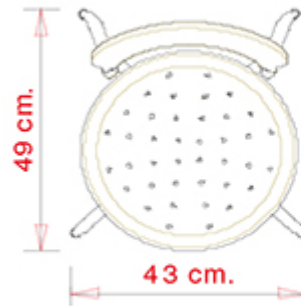
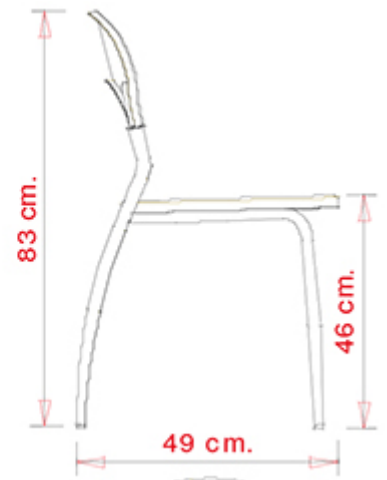


## Sandy 077

SANDY COLLECTION:  
Sandy 077, Sandy 078, Sandy 377,



Chair with 4 legs steel frame with polypropylene seat and back or padded seat.

### STACKABLE

8

### WEIGHT

4 kg

### PACK

0,26 m<sup>3</sup>

### PIECES PER BOX

4

### FINISHES SEATING

**TE** FABRIC

**PP** POLYPROPYLENE



### FRAMES

**AC** STEEL

### CERTIFICAZIONI

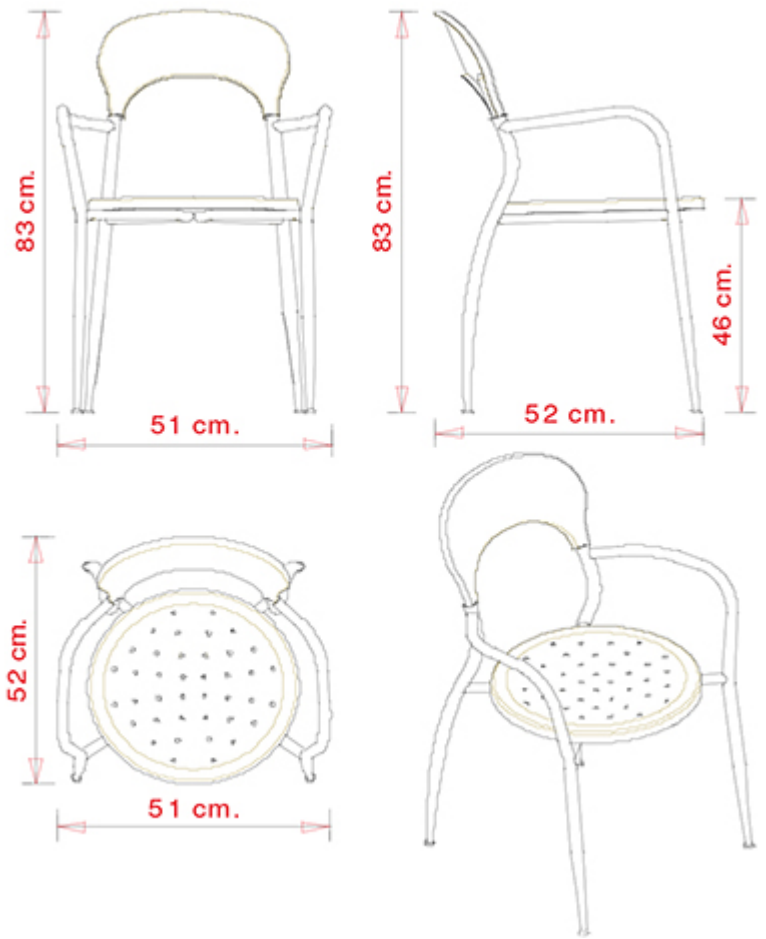
077 SANDY UNI 8584:1984 RESISTENZA A FATICA DELLA STRUTTURA 5 17/12/99

### USES

coffee & restaurants, hotels, educational, entertainment, travel, office and waiting areas, retail, health care,

## Sandy 078

SANDY COLLECTION:  
Sandy 077, Sandy 078, Sandy 377,



Armchair with 4 legs steel frame with polypropylene seat and back or padded seat.

### STACKABLE

4

### WEIGHT

4,5 kg

### PACK

0,31 m<sup>3</sup>

### PIECES PER BOX

4

### FINISHES SEATING

**TE** FABRIC

**PP** POLYPROPYLENE



### FRAMES

**AC** STEEL

### CERTIFICAZIONI

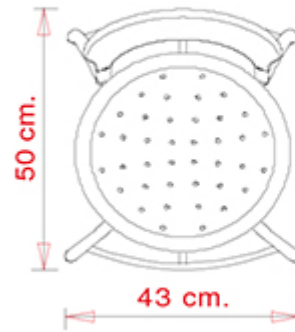
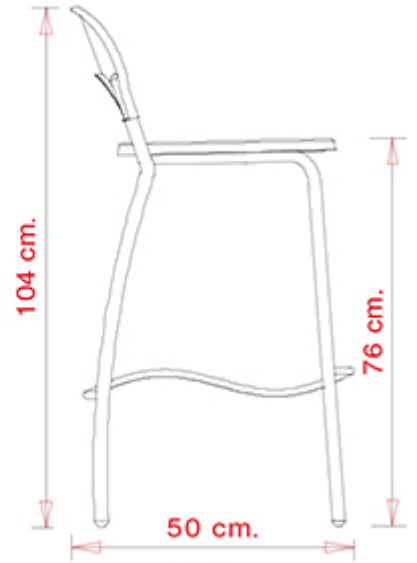
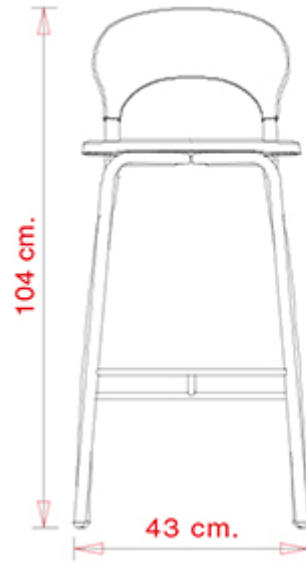
078 SANDY UNI 8584:1984 RESISTENZA A FATICA DELLA STRUTTURA 5 17/12/99

### USES

coffee & restaurants, hotels, educational, entertainment, travel, office and waiting areas, retail, health care,

## Sandy 377

SANDY COLLECTION:  
Sandy 077, Sandy 078, Sandy 377,



Stool with 4 legs steel frame with polypropylene seat and back or padded seat.

**WEIGHT**

5 kg

**PACK**

0,38 m<sup>3</sup>

**PIECES PER BOX**

2

## FINISHES SEATING

TE FABRIC

PP POLYPROPYLENE



## FRAMES

AC STEEL

## CERTIFICAZIONI

377 SANDY UNI EN 15373:2007 Test 10-Prova di fatica sedile e schienale 3 18/07/12  
377 SANDY UNI EN 15373:2007 Test 16-Carico statico sulle gambe anteriori 3 18/07/12  
377 SANDY UNI EN 15373:2007 Test 17-Carico statico sulle gambe laterali 3 18/07/12  
377 SANDY UNI EN 15373:2007 Test 19-Prova d'urto sul sedile 3 18/07/12  
377 SANDY UNI EN 15373:2007 Test 1-Carico statico sedile e schienale 3 05/07/12  
377 SANDY UNI EN 15373:2007 Par.5.1 e 5.1-Criteri generali e cesoimento 05/07/12  
377 SANDY UNI EN 15373:2007 Par.5.3-Stabilit  05/07/12  
377 SANDY UNI EN 15373:2007 Par.5.1 e 5.1-Criteri generali e cesoimento 29/06/12  
377 SANDY UNI EN 15373:2007 Par.5.3-Stabilit  29/06/12  
377 SANDY UNI EN 15373:2007 Test 1-Carico statico sedile e schienale 3-Uso severo 29/06/12  
377 SANDY UNI EN 15373:2007 Test 10-Prova di fatica sedile e schienale 3-Uso severo 29/06/12  
377 SANDY UNI EN 15373:2007 Test 16-Carico statico sulle gambe anteriori 3-Uso severo 29/06/12  
377 SANDY UNI EN 15373:2007 Test 17-Carico statico sulle gambe laterali 3-Uso severo 29/06/12  
377 SANDY UNI EN 15373:2007 Test 19-Prova d'urto sul sedile 3-Uso severo 29/06/12

## USES

coffee & restaurants, hotels, educational, entertainment, travel, office and waiting areas, retail, health care,

# Sandy

Francesco Geraci

**metalmobil**

---