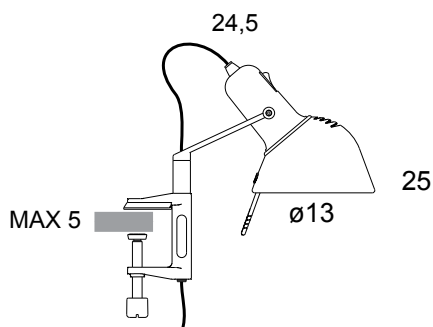



# Naomi Morsetto

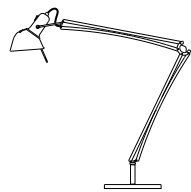

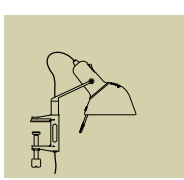
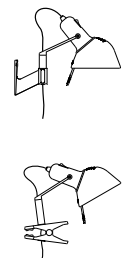
Yaacov Kaufman, 2001

Adjustable lamp in aluminium on a clamp-base with 3m long feeding cable. The clamp is suitable for surfaces up to 52mm thickness.



<b>TECHNICAL DATAS</b>	Product Name (code)	<b>Naomi Morsetto (329)</b>
	Certificates	<b>CE</b>
	Norms	<b>EN 60-598-1 (CEI 34-21)</b>
	Light sources	<b>MAX 60W I - 75W HAL - E27/E26 (not included)</b>
	Available	<b>230V (Europe) - 120V (USA - Japan) - 240V (UK)</b> <i>(fittings come with appropriate plug)</i>
	Insulation Class	<b>II</b>
	Protection Class	<b>IP20</b>
	Packaging	<b>0,001m<sup>3</sup> - 0,7Kg</b>

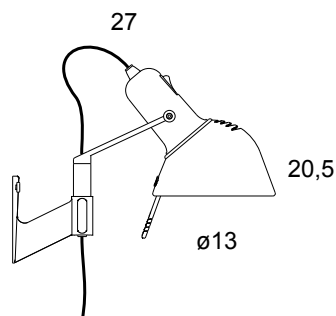
<b>COLOURS</b>	
	Anodised Aluminium

<b>FAMILY</b>				
	Naomi	Naomi Terra	Naomi Head	


# Naomi Parete

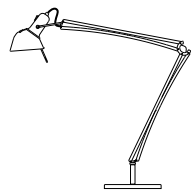

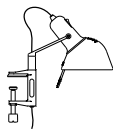
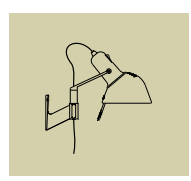

Yaacov Kaufman, 2001

Adjustable wall lamp in aluminium with 3m long feeding cable.



<b>TECHNICAL DATAS</b>	Product Name (code)	<b>Naomi Parete (330)</b>
	Certificates	<b>CE</b>
	Norms	<b>EN 60-598-1 (CEI 34-21)</b>
	Light sources	<b>MAX 60W I - 75W HAL - E27/E26 (not included)</b>
	Available	<b>230V (Europe) - 120V (USA - Japan) - 240V (UK)</b> <i>(fittings come with appropriate plug)</i>
	Insulation Class	<b>II</b>
	Protection Class	<b>IP20</b>
	Packaging	<b>0,001m<sup>3</sup> - 0,7Kg</b>

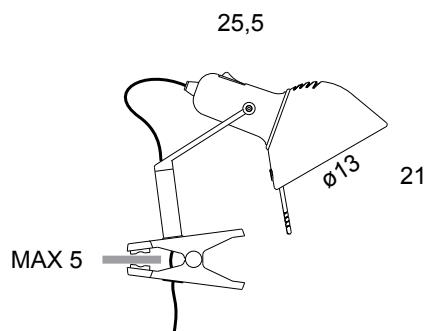
<b>COLOURS</b>	
	Anodised Aluminium

<b>FAMILY</b>				
				
	<b>Naomi</b>	<b>Naomi Terra</b>	<b>Naomi Head</b>	


# Naomi Pinza

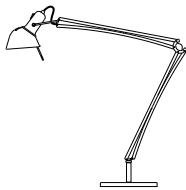



Yaacov Kaufman, 2001

Adjustable clip-on lamp in aluminium, with 3m long feeding cable. The clip is suitable for surfaces between 10mm and 50mm.



<b>TECHNICAL DATAS</b>	Product Name (code)	<b>Naomi Pinza (328)</b>
	Certificates	<b>CE</b>
	Norms	<b>EN 60-598-1 (CEI 34-21)</b>
	Light sources	<b>MAX 60W I - 75W HAL - E27/E26 (not included)</b>
	Available	<b>230V (Europe) - 120V (USA - Japan) - 240V (UK)</b> <i>(fittings come with appropriate plug)</i>
	Insulation Class	<b>II</b>
	Protection Class	<b>IP20</b>
	Packaging	<b>0,001m<sup>3</sup> - 0,7Kg</b>

<b>COLOURS</b>	
	<b>Anodised Aluminium</b>

<b>FAMILY</b>			
			
	<b>Naomi</b>	<b>Naomi Terra</b>	<b>Naomi Head</b>