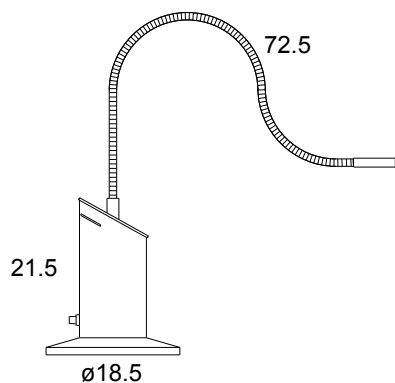



# Zed

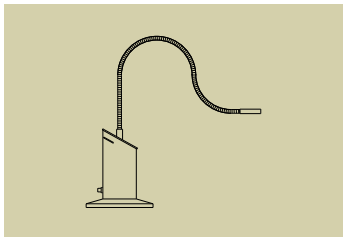
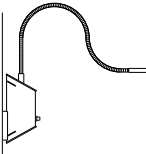
Tommaso Cimini, 1987

Light fitting of metal, for the bedside, with a fiber optic adjustable arm for reading and a flip-up cap for additional diffused light. The light beam coming out from the adjustable arm can be regulated.



<b>TECHNICAL DATAS</b>	Product Name (code)	<b>Zed (91)</b>
	Certificates	<b>CE</b>
	Norms	<b>EN 60-598-1 (CEI 34-21)</b>
	Light sources	<b>MAX 20W HAL - G4 (included)</b>
	Available	<b>230V (Europe) - 240V (UK)</b> <i>(fittings come with appropriate transformer and plug)</i>
	Insulation Class	<b>II</b>
	Protection Class	<b>IP20</b>
	Packaging	<b>0,017m<sup>3</sup> - 2,86Kg</b>

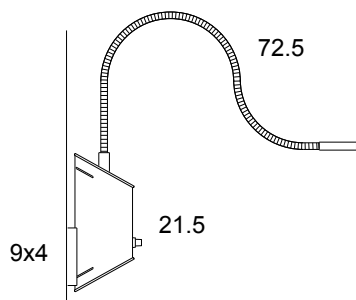
<b>COLOURS</b>		
	Black Soft-touch	Brushed Nickel

<b>FAMILY</b>		
	Zed	Zed Parete

## Zed Parete

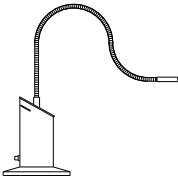
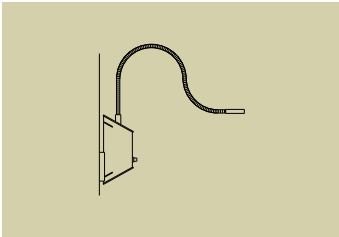
Tommaso Cimini, 1994

Wall lamp of metal with a fiber optic adjustable arm for reading and a flip-up cap for additional diffused light. The light beam coming out from the adjustable arm can be regulated.



<b>TECHNICAL DATAS</b>	Product Name (code)	<b>Zed Parete (89)</b>
	Certificates	<b>CE</b>
	Norms	<b>EN 60-598-1 (CEI 34-21)</b>
	Light sources	<b>MAX 20W HAL - G4 (included)</b>
	Available	<b>230V (Europe) - 240V (UK)</b> <i>(fittings come with appropriate transformer)</i>
	Insulation Class	<b>I</b>
	Protection Class	<b>IP20</b>
	Packaging	<b>0,008m<sup>3</sup> - 1,56Kg</b>

<b>COLOURS</b>		
	Black Soft-touch	Brushed Nickel

<b>FAMILY</b>		
	Zed	Zed Parete