

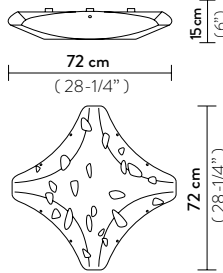


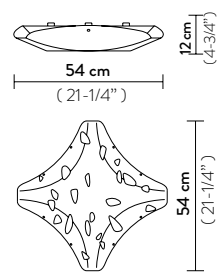


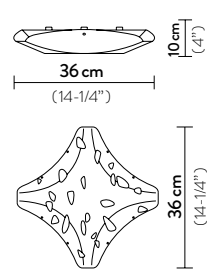


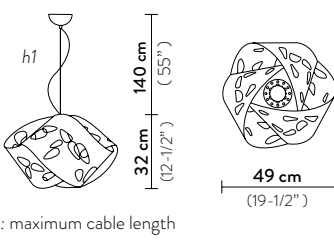
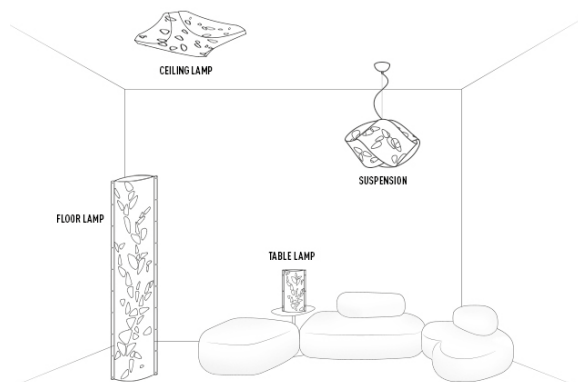



PRODOTTI	MISURE	COLORI	CODICE
<p>CEILING WALL LAMP LARGE</p> <p>Bulbs E27:</p> <p> 4 X 10W LED Filament</p> <p>Made of: Opalflex® With: MagneticSystem®</p> <p>Weight: net Kg 3,00 - gross Kg 5,50 Package: 80 x 80 x h25cm</p> <p>CE IP 20 </p>		<input type="checkbox"/> WHITE	BIO14PLF0003WI
<p>CEILING WALL LAMP MEDIUM</p> <p>Bulbs E27:</p> <p> 3 X 10W LED Filament</p> <p>Made of: Opalflex® With: MagneticSystem®</p> <p>Weight: net Kg 2,00 - gross Kg 3,00 Package: 54,5 x 14 x h56cm</p> <p>CE IP 20 </p>		<input type="checkbox"/> WHITE	BIO14PLF0002WI
<p>CEILING WALL LAMP SMALL</p> <p>Bulbs E27:</p> <p> 2 X 10W LED Filament</p> <p>Made of: Opalflex® With: MagneticSystem®</p> <p>Weight: net Kg 0,60 - gross Kg 1,00 Package: 39 x 36 x h9,5cm</p> <p>CE IP 20 </p>		<input type="checkbox"/> WHITE	BIO14PLF0001WI
<p>SUSPENSION "NODO"</p> <p>Bulbs E27:</p> <p> 1 X 10W LED Filament</p> <p>Made of: Opalflex®</p> <p>Weight: net Kg 1,50 - gross Kg 2,00 Package: 48 x 32 x h50cm</p> <p>CE IP 20 </p>	 <p>h1: maximum cable length</p>	<input type="checkbox"/> WHITE	BIO14SOS0000WI

BIOS ENTIRE COLLECTION




ENERGY CLASS

This luminaire is compatible with bulbs of the energy classes:



SLAMP: BIOS TUBE 874/2012

This luminaire is compatible with bulbs of the energy classes:



SLAMP: BIOS NODO 874/2012