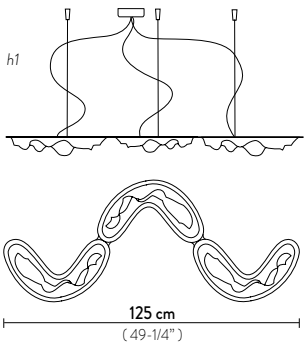


# CROCCO SUSPENSION

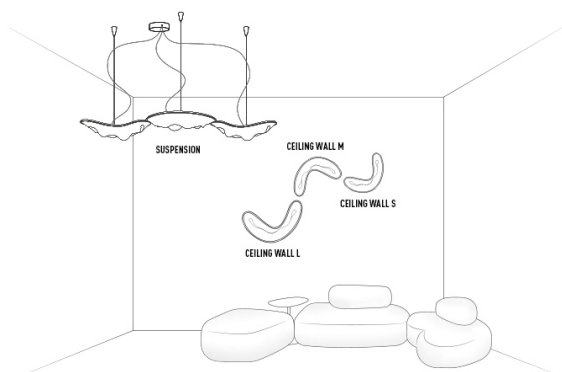
design by Nigel Coates

Compendium page 232


PRODOTTI	MISURE	COLORI	CODICE
<p><b>SUSPENSION</b></p> <p>LED:</p> <p>54W - 220Vac/12Vdc -4200 Lumen</p> <p>2700 Kelvin (warm white)</p> <p>Made of: Lentiflex®</p> <p>With: <b>Stainless Steel support</b></p> <p>Weight: net Kg 0,75 - gross Kg 1,5 (x3)</p> <p>Package: 43 x 29 x h15cm (x3)</p>	 <p>h1: maximum cable length</p>	<p><span style="color: yellow;">■</span> <b>YELLOW</b></p> <p><span style="color: blue;">■</span> <b>SKY</b></p> <p><span style="color: grey;">■</span> <b>GREY</b></p>	<p><b>CRO14SOS0000G_000</b></p> <p><b>CRO14SOS0000D_000</b></p> <p><b>CRO14SOS0000E_000</b></p>

CE IP 20  

## CROCCO ENTIRE COLLECTION




## ENERGY CLASS

 This luminaire contains built-in LED lamps.

The lamp cannot be changed in the luminaire.

**SLAMP:**  
CROCCO SUSPENSION

874/2012



LED

