

## DU.012

**Typology:** Suspension

### Description / descripción

Pendant lamp with nickel plated ceiling rose and group C pleated lampshade.  
Available in several sizes.

Modelo colgante con florón niquelado y pantalla encintada grupo C.  
Disponible en varios tamaños.

### Light bulb / bombillas

Voltage: 220-230V / 50-60Hz  
120-277V / 50-60Hz (USA)

#### European version

	<b>A</b>		2 x E-27 FLC 32W
<b>DU.012</b>	<b>A*</b>		2 x E-27 LED 12W
	<b>B</b>		2 x E-27 A60 ECO 42W

#### USA version

**TUS.DU.012.01** 2 x 26W / CFL / GU-24 Base / 120V

**TUS.DU.012.02** 2 x 100W / A19 / Medium base / 120V

Bulbs not included / Bombillas no incluidas

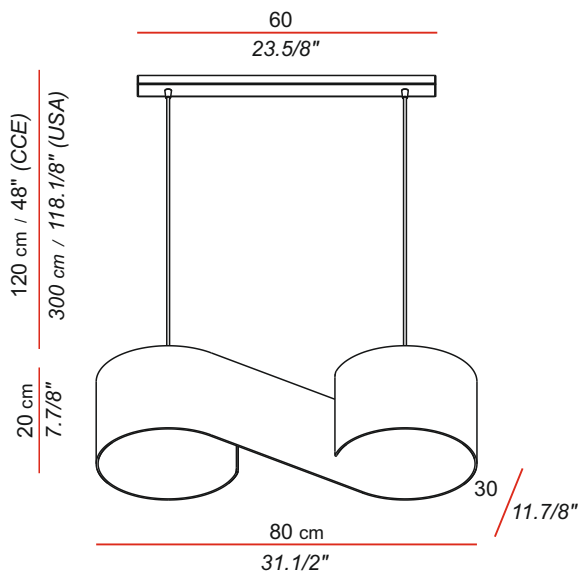
### Packaging / Embalaje

1 box

36x36x100 cm / 0,13m<sup>3</sup>  
15"x15"x40" / 4,5 ft<sup>3</sup>

Peso neto: 3,5 Kg  
Net weight: 8 lb

### General measures / Medidas generales



### Features & finishings / Características

Lampshade <i>Pantalla</i>	<b>Pleated fabrics</b> <i>Cinta plisada</i>
Canopy <i>Florón</i>	<b>Nickel</b> <i>Niquelado</i>
Electrical cable <i>Cable eléctrico</i>	<b>Silicone transparent</b> <i>Silicona transparente</i>

#### Certifications:



#### USA Certifications:



Light for indoor use only / Luminaria solo para uso interior

## DU.013

**Typology:** Suspension

### Description / descripción

Pendant lamp with nickel plated ceiling rose and group C pleated lampshade.  
Available in several sizes.

Modelo colgante con florón niquelado y pantalla encintada grupo C.  
Disponible en varios tamaños.

### Light bulb / bombillas

Voltage: 220-230V / 50-60Hz  
120-277V / 50-60Hz (USA)

#### European version

	<b>A</b>		2 x E-27 FLC 32W
<b>DU.013</b>	<b>A*</b>		2 x E-27 LED 12W
	<b>B</b>		2 x E-27 A60 ECO 42W

#### USA version

**TUS.DU.013.01** 2 x 26W / CFL / GU-24 Base / 120V

**TUS.DU.013.02** 2 x 100W / A19 / Medium base / 120V

Bulbs not included / Bombillas no incluidas

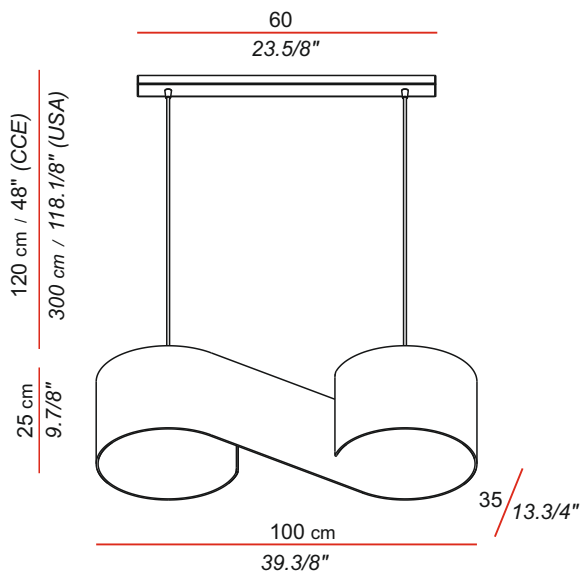
### Packaging / Embalaje

1 box

42x42x100 cm / 0,18m<sup>3</sup>  
17"x17"x40" / 6,5 ft<sup>3</sup>

Peso neto: 5 Kg  
Net weight: 11 lb

### General measures / Medidas generales



### Features & finishings / Características

Lampshade <i>Pantalla</i>	<b>Pleated fabrics</b> <i>Cinta plisada</i>
Canopy <i>Florón</i>	<b>Nickel</b> <i>Niquelado</i>
Electrical cable <i>Cable eléctrico</i>	<b>Silicone transparent</b> <i>Silicona transparente</i>

#### Certifications:



#### USA Certifications:



Light for indoor use only / Luminaria solo para uso interior

## DU.014

**Typology:** Suspension

### Description / descripción

Pendant lamp with nickel plated ceiling rose and group C pleated lampshade.

Available in several sizes.

Modelo colgante con florón niquelado y pantalla encintada grupo C.

Disponible en varios tamaños.

### Light bulb / bombillas

Voltage: 220-230V / 50-60Hz  
120-277V / 50-60Hz (USA)

#### European version

	<b>A</b>		2 x E-27 FLC 32W
<b>DU.014</b>	<b>A*</b>		2 x E-27 LED 12W
	<b>B</b>		2 x E-27 A60 ECO 42W

#### USA version

**TUS.DU.014.01** 2 x 26W / CFL / GU-24 Base / 120V

**TUS.DU.014.02** 2 x 100W / A19 / Medium base / 120V

Bulbs not included / Bombillas no incluidas

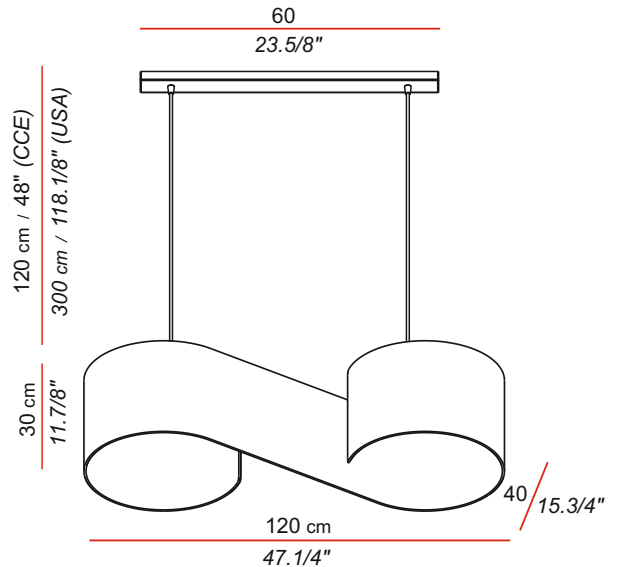
### Packaging / Embalaje

1 box

42x42x130 cm / 0,23m<sup>3</sup>  
17"x17"x51" / 8 ft<sup>3</sup>

Peso neto: 5,5 Kg  
Net weight: 12 lb

### General measures / Medidas generales



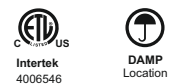
### Features & finishings / Características

Lampshade <i>Pantalla</i>	<b>Pleated fabrics</b> <i>Cinta plisada</i>
Canopy <i>Florón</i>	<b>Nickel</b> <i>Niquelado</i>
Electrical cable <i>Cable eléctrico</i>	<b>Silicone transparent</b> <i>Silicona transparente</i>

#### Certifications:



#### USA Certifications:



Light for indoor use only / Luminaria solo para uso interior

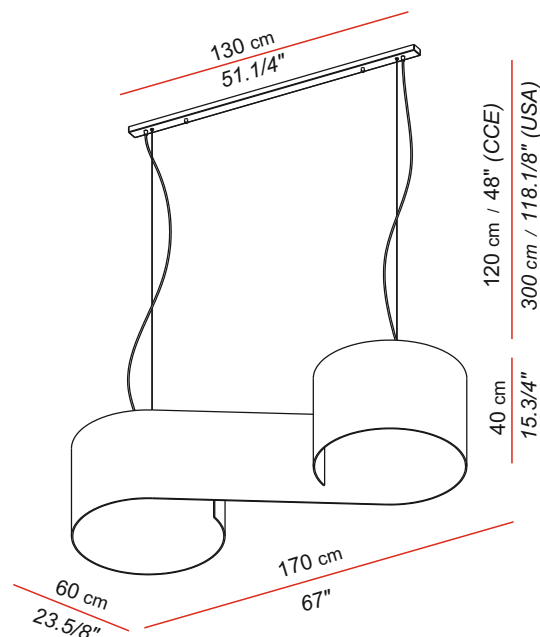
## DU.015

**Typology:** Suspension

### Description / descripción

Pendant lamp with nickel plated ceiling rose end group C pleated lampshade.  
Available in several sizes.

Modelo colgante con florón niquelado y pantalla encintada grupo C.  
Disponible en varios tamaños.



### Light bulb / bombillas

Voltage: 220-230V / 50-60Hz  
120-277V / 50-60Hz (USA)

#### European version

	<b>A</b>		6 x E-27 FLC 32W
<b>DU.015</b>	<b>A*</b>		6 x E-27 LED 12W
	<b>B</b>		6 x E-27 A60 ECO 42W

#### USA version

**TUS.DU.015.01** 6 x 26W / CFL / GU-24 Base / 120V

**TUS.DU.015.02** 6 x 100W / A19 / Medium base / 120V

Bulbs not included / Bombillas no incluidas

### Packaging / Embalaje

1 box

64x45x180 cm / 0,52m<sup>3</sup>  
25"x18"x71" / 7 ft<sup>3</sup>

Peso neto: 7,5 Kg  
Net weight: 5,5 lb

### Features & finishings / Características

Lampshade <i>Pantalla</i>	<b>Pleated fabrics</b> <i>Cinta plisada</i>
Canopy <i>Florón</i>	<b>Nickel</b> <i>Niquelado</i>
Electrical cable <i>Cable eléctrico</i>	<b>Silicone transparent</b> <i>Silicona transparente</i>

#### Certifications:



#### USA Certifications:



**Light for indoor use only / Luminaria solo para uso interior**