

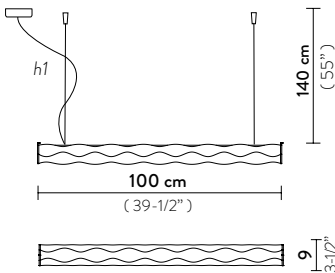


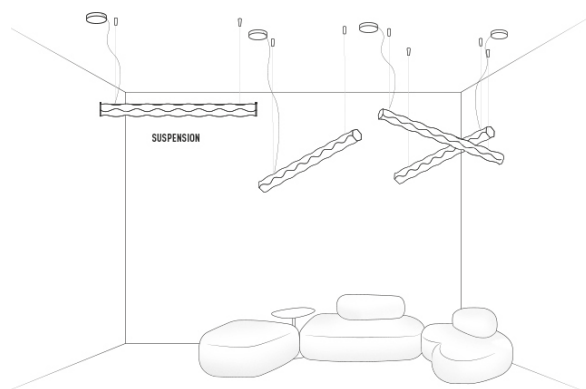
HUGO

design by Slamp Creative Team



Compendium page 198

PRODOTTI	MISURE	COLORI	CODICE
<p>SUSPENSION</p> <p>LED: 30W - 220V - 3000 Lumen 2700 Kelvin (warm white) - CRI90 Made of: Lentiflex® Weight: net Kg 1,20 - gross Kg 1,65 Package: 15 x 15 x h114 cm</p> <p>CE IP 20  </p>	 <p>h1: maximum cable length</p>	<p><input type="checkbox"/> PRISMA</p> <p><input type="checkbox"/> WHITE</p>	<p>HUG89SOS0000LE000</p> <p>HUG89SOS0000WT000</p>

HUGO ENTIRE COLLECTION



ENERGY CLASS

 This luminaire contains built-in LED lamps. LED 

The lamp cannot be changed in the luminaire.

SLAMP: HUGO **874/2012**

