

SO.001

Typology: Suspension

Description / Descripción

Pendant lamp with black textile exterior and engraved vinyl interior.

Upper diffuser in aluminium, semi-spherical lower diffuser in acrylic.

Chromed ceiling rose with orange fabric cable.

Colgante de textil negro exterior y vinilo grabado interior. Difusor superior metálico e inferior semiesférico de metacrilato. Florón cromado y cable textil naranja.

Light bulb / Bombillas

Voltage: 220-230V / 50-60Hz

SO.001			1 x T5C 60W
SO.001.12			1 x T5C 60W Dimable-1-10V
SO.001.13			1 x T5C 60W Dimable - DALI

Bulbs not included / Bombillas no incluidas

Packaging / Embalaje

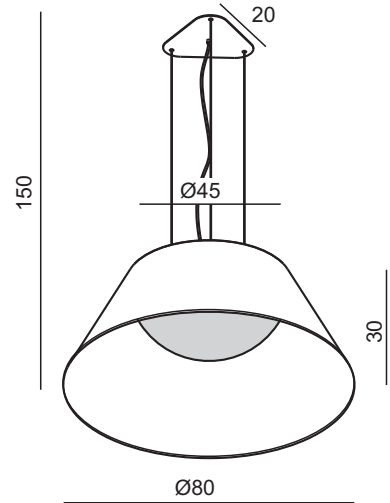
1 box

84x40x84 cm

vol.: 0,3 m³

Net weight: 6 Kg

General measures / Medidas generales



Features & finishings / Características

Lampshade	Exterior: Black Cotton - ANG Interior: Vynil - DVP
Pantalla	Exterior: Coton negro - ANG Interior: Vinilo - DVP
Canopy Florón	Chromed Cromado
Electrical cable Cable electrico	Orange fabric cable Cable textil naranja
Diffuser Difusor	Semi-esfera PMMA hielo mate Semi-spherical PMMA ice matt

Certifications:



Light for indoor use only / Luminaria solo para uso interior

