

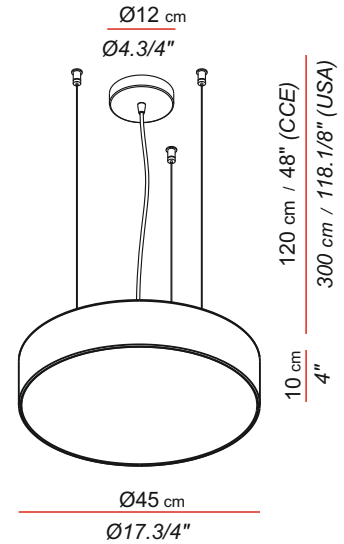
Typology: Suspension

Description / Descripción

Extra-flat pendant lamp (10cm / 4").
Screen available on any material and nickel canopy.
Height regulation system by steel cables..

Colgante extra plano (10cm / 4").
Pantalla disponible en cualquier material y soporte niquelado.
Sistema de regulacion de altura por cables de acero.

General measures / Medidas generales



Light bulb / bombillas

Voltage: 220-230V / 50-60Hz
 120-277V / 50-60Hz (USA)

European version

SLC.010.00	B		1 x T5C 55W
SLC.010.12	B		1 x T5C 55W Dimmable 1-10V
SLC.010.13	B		1 x T5C 55W Dimmable - DALI
SLC.010.16	A++		LED Module 24W 3000K 2900lm
SLC.010.17	A++		LED Module 24W 3000K 2900lm Dimmable Touch
SLC.010.18	A++		LED Module 24W 3000K 2900lm Dimmable DALI

USA version

TUS.SLC.010.04		2 x 18W / Twin Tube / 2G-11 Base
TUS.SLC.010.17		LED Module 24W 3000K 2900lm Dimmable 1-10V
TUS.SLC.010.18		LED Module 24W 3000K 2900lm Dimmable DALI

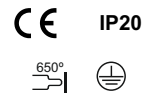
Packaging / Embalaje

1 box
 50x25x50 cm / 0,07 m³
 20"x10"x20" / 2,5 ft³
 Peso neto: 3,5 Kg
 Net weight: 7,5 lb

Features & finishings / Características

Lampshade Pantalla	Available in any material Disponible en cualquier material
Canopy Florón	Nickel plated Niquelado
Electrical cable Cable eléctrico	Transparent silicone Silicona transparente
Diffuser Difusor	PMMA 3mm ice matt PMMA 3mm hielo mate

Certifications:



USA Certifications:



Light for indoor use only / Luminaria solo para uso interior



Bulbs not included - LED module included
 Bombillas no incluidas - Módulos LED incluidos

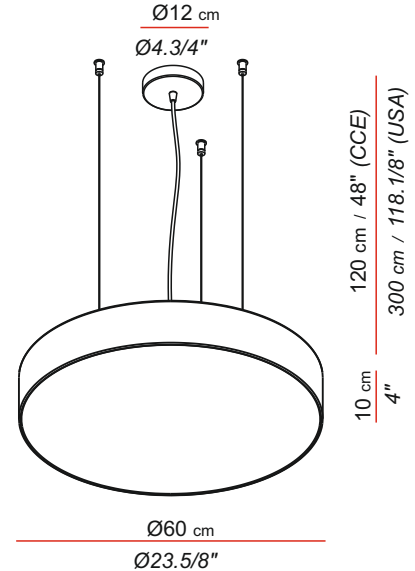
Typology: Suspension

Description / Descripción

Extra-flat pendant lamp (10cm / 4").
Screen available on any material and nickel canopy.
Height regulation system by steel cables..

Colgante extra plano (10cm / 4").
Pantalla disponible en cualquier material y soporte niquelado.
Sistema de regulacion de altura por cables de acero.

General measures / Medidas generales



Light bulb / bombillas

Voltage: 220-230V / 50-60Hz
 120-277V / 50-60Hz (USA)

European version

SLC.011.00	B		1 x T5C 60W
SLC.011.12	B		1 x T5C 60W Dimmable 1-10V
SLC.011.13	B		1 x T5C 60W Dimmable - DALI
SLC.011.16	A++		LED Module 42W 3000K 5000lm
SLC.011.17	A++		LED Module 42W 3000K 5000lm Dimmable Touch
SLC.011.18	A++		LED Module 42W 3000K 5000lm Dimmable DALI

USA version

TUS.SLC.011.04		4 x 18W / Twin Tube / 2G-11 Base
TUS.SLC.011.13		4 x 18W / Twin Tube / 2G11 base Dimmable - DALI
TUS.SLC.011.17		LED Module 42W 3000K 5000lm Dimmable 1-10V
TUS.SLC.011.18		LED Module 42W 3000K 5000lm Dimmable DALI

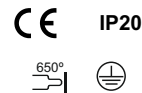
Packaging / Embalaje

1 box
 64x25x64 cm / 0,11 m³
 25"x10"x25" / 4 ft³
 Peso neto: 7 Kg
 Net weight: 15,5 lb

Features & finishings / Características

Lampshade Pantalla	Available in any material Disponible en cualquier material
Canopy Florón	Nickel plated Niquelado
Electrical cable Cable eléctrico	Transparent silicone Silicona transparente
Diffuser Difusor	PMMA 3mm ice matt PMMA 3mm hielo mate

Certifications:



USA Certifications:



Light for indoor use only / Luminaria solo para uso interior



Bulbs not included - LED module included
 Bombillas no incluidas - Módulos LED incluidos

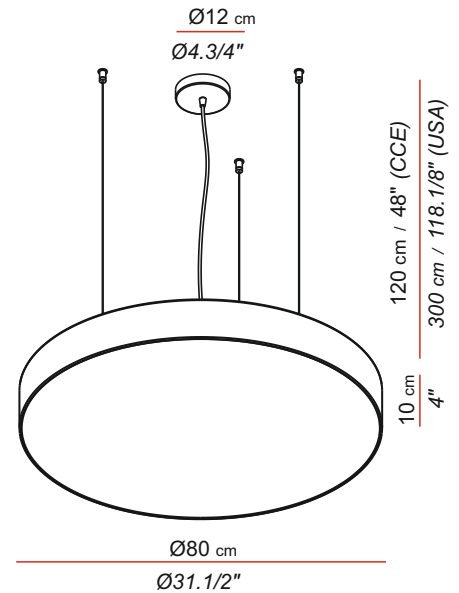
Typology: Suspension

Description / Descripción

Extra-flat pendant lamp (10cm / 4").
Screen available on any material and nickel canopy.
Height regulation system by steel cables..

Colgante extra plano (10cm / 4").
Pantalla disponible en cualquier material y soporte niquelado.
Sistema de regulacion de altura por cables de acero.

General measures / Medidas generales



Light bulb / bombillas

Voltage: 220-230V / 50-60Hz
 120-277V / 50-60Hz (USA)

European version

SLC.012.00	B		1 x T5C 55W
SLC.012.12	B		1 x T5C 55W Dimmable 1-10V
SLC.012.13	B		1 x T5C 55W Dimmable - DALI
SLC.012.16	A++		LED Module 61W 3000K 7100lm
SLC.012.17	A++		LED Module 61W 3000K 7100lm Dimmable - Touch
SLC.012.18	A++		LED Module 61W 3000K 7100lm Dimmable - DALI

USA version

TUS.SLC.012.04		4 x 24W / Twin Tube / 2G-11 Base
TUS.SLC.012.13		4 x 24W / Twin Tube / 2G11 base Dimmable - DALI
TUS.SLC.012.17		LED Module 61W 3000K 7100lm Dimmable 1-10V
TUS.SLC.012.18		LED Module 61W 3000K 7100lm Dimmable - DALI

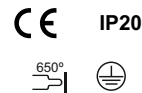
Packaging / Embalaje

1 box
 83x25x83 cm / 0,17 m³
 33"x10"x33" / 6 ft³
 Peso neto: 9,5 Kg
 Net weight: 21 lb

Features & finishings / Características

Lampshade Pantalla	Available in any material Disponible en cualquier material
Canopy Florón	Nickel plated Niquelado
Electrical cable Cable eléctrico	Transparent silicone Silicona transparente
Diffuser Difusor	PMMA 3mm ice matt PMMA 3mm hielo mate

Certifications:



USA Certifications:



Light for indoor use only / Luminaria solo para uso interior



Bulbs not included - LED module included
 Bombillas no incluidas - Módulos LED incluidos

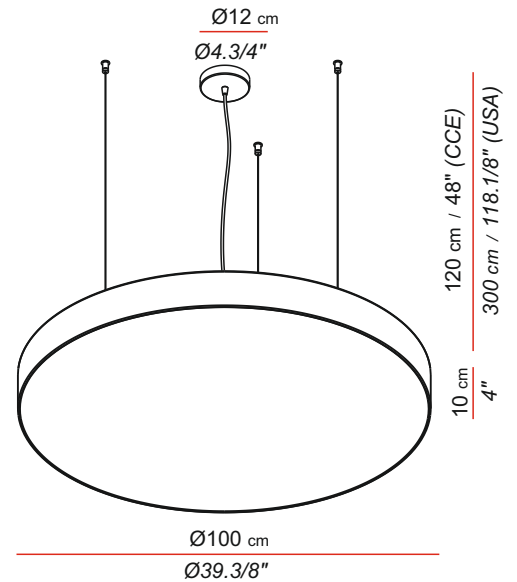
Typology: Suspension

Description / Descripción

Extra-flat pendant lamp (10cm / 4").
Screen available on any material and nickel canopy.
Height regulation system by steel cables..

Colgante extra plano (10cm / 4").
Pantalla disponible en cualquier material y soporte niquelado.
Sistema de regulacion de altura por cables de acero.

General measures / Medidas generales



Light bulb / bombillas

Voltage: 220-230V / 50-60Hz
 120-277V / 50-60Hz (USA)

European version

SLC.013.00	B		3 x T5C 55W
SLC.013.12	B		3 x T5C 55W Dimmable 1-10V
SLC.013.13	B		3 x T5C 55W Dimmable - DALI
SLC.013.16	A++		LED Module 103W 3000K 12000lm
SLC.013.17	A++		LED Module 103W 3000K 12000lm Dimmable - Touch
SLC.013.18	A++		LED Module 103W 3000K 12000lm Dimmable - DALI

USA version

TUS.SLC.013.04		6 x 24W / Twin Tube / 2G-11 Base
TUS.SLC.013.13		6 x 24W / Twin Tube / 2G11 base Dimmable - DALI
TUS.SLC.013.17		LED Module 103W 3000K 12000lm Dimmable 1-10V
TUS.SLC.013.18		LED Module 103W 3000K 12000lm Dimmable - DALI

Packaging / Embalaje

1 box

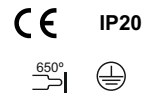
110x25x110 cm / 0,3 m³
 43"x10"x43" / 11 ft³

Peso neto: 17 Kg
 Net weight: 37,5 lb

Features & finishings / Características

Lampshade Pantalla	Available in any material Disponible en cualquier material
Canopy Florón	Nickel plated Niquelado
Electrical cable Cable eléctrico	Transparent silicone Silicona transparente
Diffuser Difusor	PMMA 3mm ice matt PMMA 3mm hielo mate

Certifications:



USA Certifications:



Light for indoor use only / Luminaria solo para uso interior



Bulbs not included - LED module included
 Bombillas no incluidas - Módulos LED incluidos

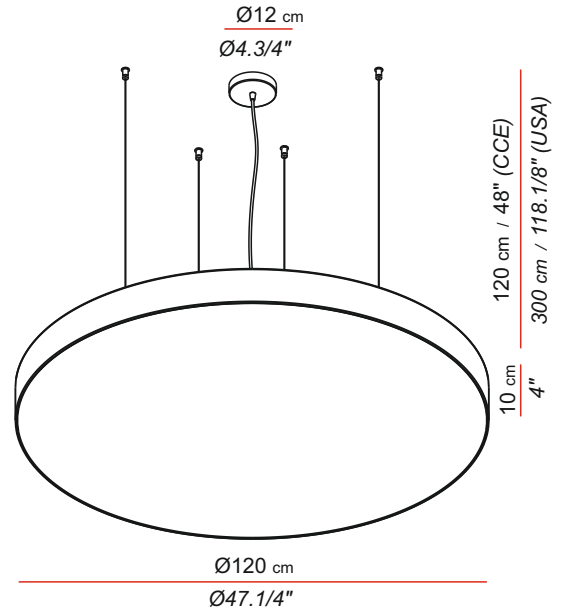
Typology: Suspension

Description / Descripción

Extra-flat pendant lamp (10cm / 4").
Screen available on any material and nickel canopy.
Height regulation system by steel cables..

Colgante extra plano (10cm / 4").
Pantalla disponible en cualquier material y soporte niquelado.
Sistema de regulacion de altura por cables de acero.

General measures / Medidas generales



Light bulb / bombillas

Voltage: 220-230V / 50-60Hz
 120-277V / 50-60Hz (USA)

European version

SLC.014.00	B		3 x T5C 60W
SLC.014.12	B		3 x T5C 60W Dimmable 1-10V
SLC.014.13	B		3 x T5C 60W Dimmable - DALI
SLC.014.16	A++		LED Module 128W 3000K 15000lm
SLC.014.17	A++		LED Module 128W 3000K 15000lm Dimmable - Touch
SLC.014.18	A++		LED Module 128W 3000K 15000lm Dimmable DALI

USA version

TUS.SLC.014.04		6 x 36W / Twin Tube / 2G-11 Base
TUS.SLC.014.13		6 x 36W / Twin Tube / 2G11 base Dimmable - DALI
TUS.SLC.014.17		LED Module 128W 3000K 15000lm Dimmable - 1-10V
TUS.SLC.014.18		LED Module 128W 3000K 15000lm Dimmable - DALI

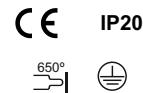
Packaging / Embalaje

1 box
 125x25x125 cm / 0,4 m³
 50"x10"x50" / 14 ft³
 Peso neto: 19 Kg
 Net weight: 41 lb

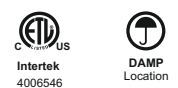
Features & finishings / Características

Lampshade Pantalla	Available in any material Disponible en cualquier material
Canopy Florón	Nickel plated Niquelado
Electrical cable Cable eléctrico	Transparent silicone Silicona transparente
Diffuser Difusor	PMMA 3mm ice matt PMMA 3mm hielo mate

Certifications:



USA Certifications:



Light for indoor use only / Luminaria solo para uso interior



Bulbs not included - LED module included
 Bombillas no incluidas - Módulos LED incluidos