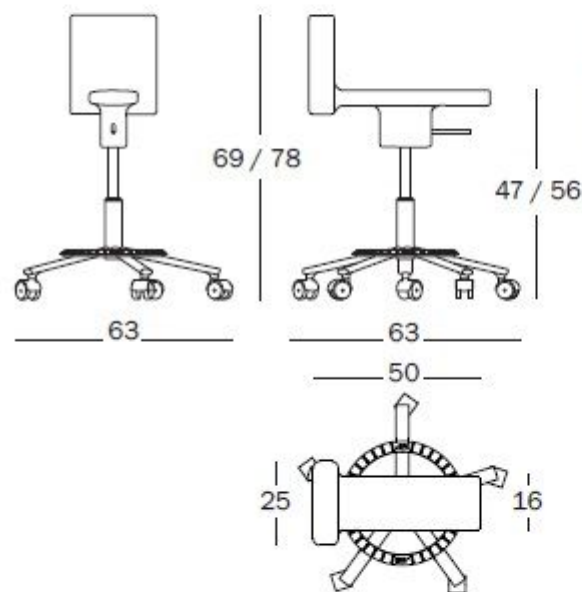


360°

design konstantin grcic

2009



Swivel chair on 5 wheels.
Adjustable in height with gas piston. Frame
in steel painted in epoxy resin. Foot-rest in
die-cast aluminium. Seat in integral self-
bearing polyurethane.

SD1540

Matt colours:
black 1764 C
(* light grey 1707 C
(* orange 1658 C

	Kg	13,00	m ³	0,259 (0,59x0,56x0,78)
		10,00		9401.30.00

Drawer systems, go to page > **323**

Stools, go to page > **139**

Test:

Arm fatigue test EN 15373:2007, L3
Back impact test EN 15373:2007, L3
Foot rest static load test EN 1728:2000, L3
Seat and back static load test EN 1728:2000, L3
Seat impact test EN 15373:2007, L3
Vertical load on back rest EN 15373:2007, L3

Arm impact test EN 15373:2007, L3
Foot rest fatigue test EN 15373:2007, L3
Seat and back fatigue test EN 15373:2007, L3
Seat front edge durability test EN 15373:2007, L3
Stability EN 1335-3:2000