

Stacking chair.
Frame in steel rod. Seat in polypropylene.

AI10

Frame - Seat (matt colours):
chromed - yellow 1030 C
chromed - red 1100 C

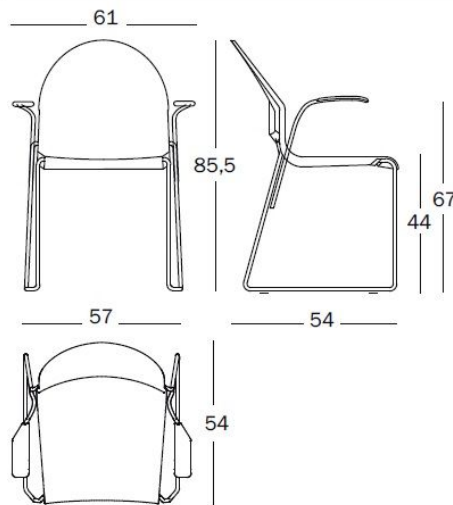
	Kg	37,20	m ³	0,469 (0,83x0,58x0,97)	
		5,80		9401.79.00	

Please note: flame-retardant

AI11

Frame - Seat (matt colours):
chromed - light grey
! Flame-retardant version.

	Kg	37,20	m ³	0,469 (0,83x0,58x0,97)	
		5,80		9401.79.00	



Stacking chair with arms.
Frame in steel rod. Seat in polypropylene.

AI14

Frame - Seat (matt colours):
chromed - yellow 1030 C
chromed - red 1100 C

	Kg	30,00	m ³	0,43 (0,75x0,63x0,91)	
		7,00		9401.79.00	

Please note: flame-retardant

AI15

Frame - Seat (matt colours):
chromed - light grey
! Flame-retardant version.

	Kg	30,00	m ³	0,43 (0,75x0,63x0,91)	
		7,00		9401.79.00	

Linking device (pair).
Connecting chair to chair or alternatively
chair to chair with armrests. Nickel-plated
steel.

AI18

Linking device (pair).
Connecting chair with armrests to chair with
armrests. Nickel-plated steel.

AI19