

Mariolina

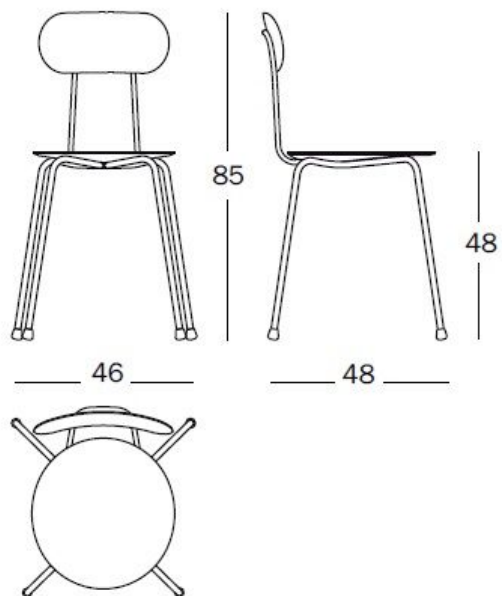
design enzo mari
2002



Stacking chair.
Frame in chromed steel tube.
Seat and back in polypropylene.

SD302

Seat and back (matt colours):
orange 1085 C
grey anthracite 1420 C
white 1700 C



4	Kg	18,20	m ³	0,274 (0,61x0,51x0,88)	12
		4,00		9401.79.00	

Test:

Back impact test UNI 10977/2002, L5
Leg sideways static load test UNI 10977/2002, L5
Seat impact test UNI 10977/2002, L5

Leg forward static load test UNI 10977/2002, L5
Seat and back static load test UNI 10977/2002, L5