

Paso Doble

design stefano giovannoni
2009



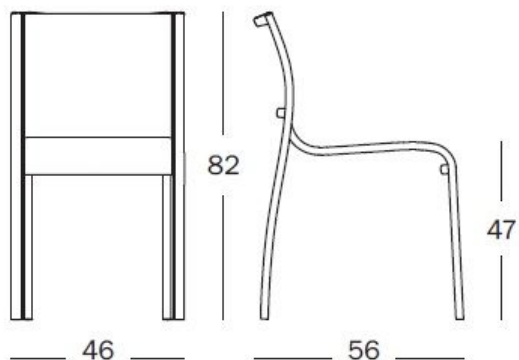
Stacking chair.
Frame in aluminium painted in polyester powder. Crosspieces in die-cast aluminium painted in polyester powder.
Seat in polyester-vinyl polymer fabric.

— Felt pads available, with surcharge.

SD1400 KIT.FEL

Seat in polyester-vinyl polymer and polyester-cotton fabric.

Seat in black leather.



SD1400

Frame and crosspieces - Seat:

white - white F-736 PVC

black - black F-754 PVC

! Please note: seat/ backrest personalisations (for example with logos); are available on request minimum order quantity 60 pieces; prices and delivery terms to be confirmed.

	Kg	11,40	m ³	0,27 (0,64x0,49x0,85)		6	
		4,20		9401.79.00			

SD1410

Frame and crosspieces - Seat:

black - black F-754

	Kg	11,40	m ³	0,27 (0,64x0,49x0,85)		6
		4,20		9401.79.00		

SD1420

Frame and crosspieces - Seat:

black - black L-0062

	Kg	11,40	m ³	0,27 (0,64x0,49x0,85)		6
		4,20		9401.79.00		

Test:

ANSI/BIFMA X5.1-2011
Leg forward static load test EN 15373:2007, L3
Seat and back fatigue test EN 15373:2007, L3
Seat front edge fatigue test EN 15373:2007, L3
Stability EN 1022:2005

Back impact test EN 15373:2007, L3
Leg sideways static load test EN 15373:2007, L3
Seat and back static load test EN 15373:2007, L3
Seat impact test EN 15373:2007, L3